

New window sealing tapes used in window joinery for installing and insulating windows.



AKTIVBAND

- Window tape used for insulating window and door mounting holes from the inside. Suitable for so called "Warm Installation".
- Made of special nonwoven fabric and vapour-barrier film, coated with an adhesive layer on one side which facilitates its application to a window frame and a wall.
- Available with an additional 20 mm adhesive strip - SYSTEM SK.

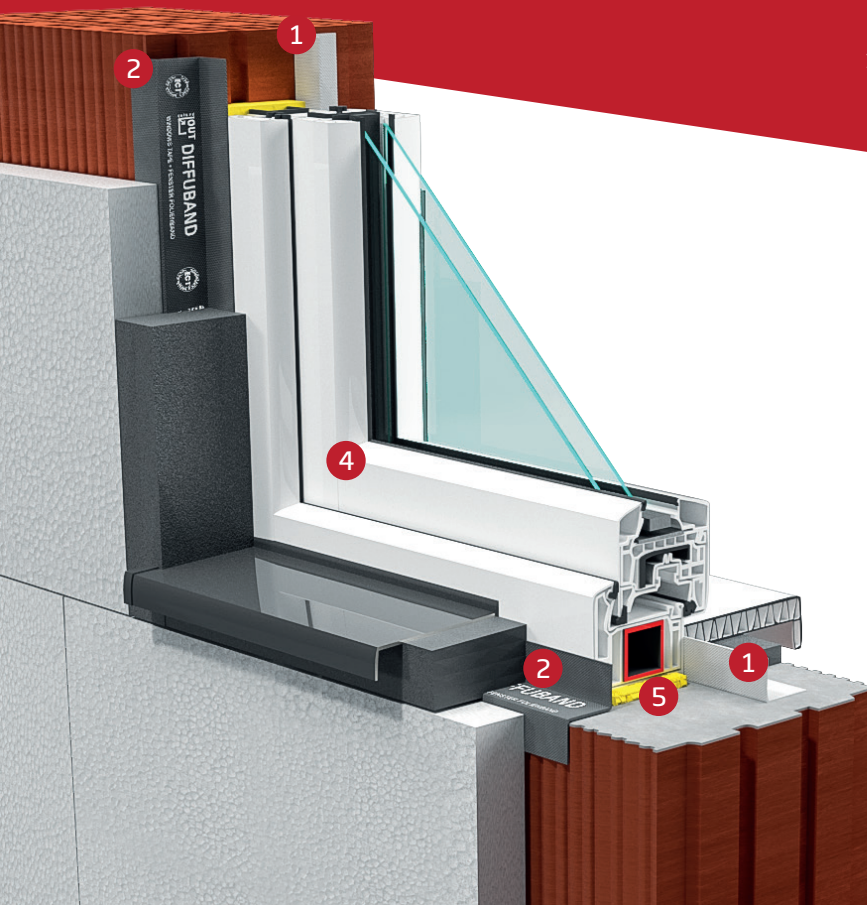


70 mm x 25 mm;
100 mm x 25 mm;
150 mm x 25 mm

> 5°C

8 rolls;
6 rolls;
4 rolls

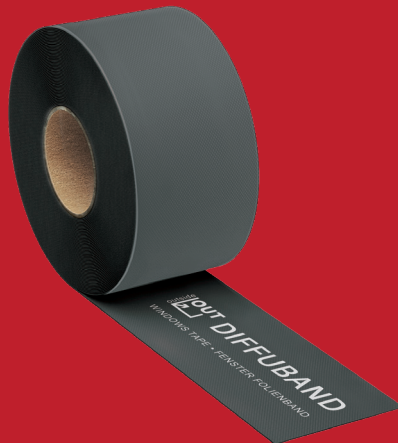
384 rolls;
288 rolls;
192 rolls



› Application of window tapes.

- 1 Eurovent® AKTIVBAND
- 2 Eurovent® DIFFUBAND
- 3 Thermal insulating
- 4 PVC Window
- 5 Montage foam

New window sealing tapes used in window joinery for installing and insulating windows.



DIFFUBAND

- Window tape used for insulating window and door mounting holes from the outside. Suitable for so called "Warm Installation".
- Made of special nonwoven fabric and vapour-permeable film, coated with an adhesive layer on one side which facilitates its application to a window frame and a wall
- Available with an additional 20 mm adhesive strip - SYSTEM SK.

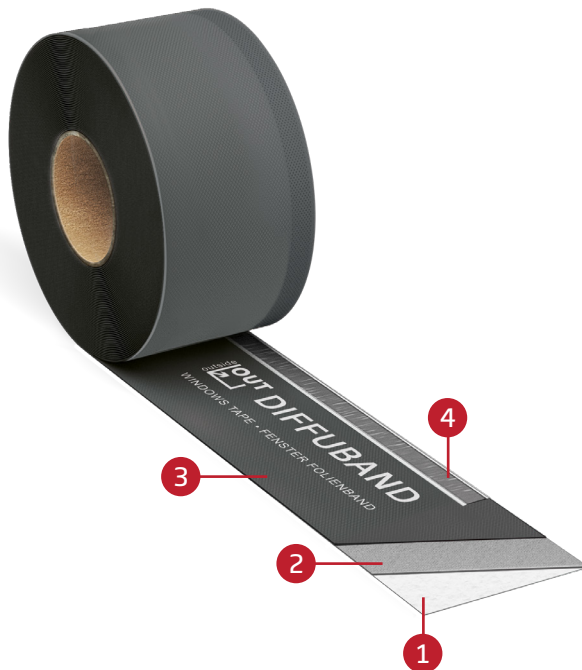


70 mm x 25 m;
100 mm x 25 m;
150 mm x 25 m

> 5°C

8 rolls;
6 rolls;
4 rolls

384 rolls;
288 rolls;
192 rolls



› Composition of DIFFUBAND.

- 1 Silicon paper
- 2 Special acrylic adhesive
- 3 Nonwoven fabric
- 4 Additional adhesive strip