

CATALOGUE OF MOTORLESS COOKER HOODS

Toflesz



THE VILPE® SILENT KITCHEN SYSTEM IS CONNECTION OF THE COOKER HOOD
WITHOUT A BUILT-IN MOTOR TO A VILPE® ROOF FAN

CONTENTS

I. INTRODUCTION

A really silent extractor hood	2
Advantages of the VILPE® silent kitchen	3

II. OFFER HOODS

Wall hoods

OK-6 TITAN	4
OK-6 MAGNUM	6
OK-6 FINEZJA	8
OK-6 FALA	10
OK-6 CASCADA	12
OK-6 CRISTAL GLASS	14
OK-6 ETNA	16
OK-4 BALTIC	18
OK-4 CRISTAL GLASS	20
OK-4 SANDY	22
OK-3 FIERA SPRINT	24
OK-2 SOLAR	26
OK-3 VERTIS	28
OK-3 CLASSIC PLUS	30
OK-3 RUSTICAL RODEO	32
OK-2 RONDO	34

Island hoods

OK-6 MAGNUM ISLAND	36
OK-4 CYLINDER ISLAND	38
OK-4 OLIMPIA MAXI	40
OK-4 BALTIC ISLAND	42
OK-4 BALTIC ISLAND	44
OK-4 BALTIC ISLAND GLASS	46

Island hoods

OK-4 SANDY ISLAND	48
OK-6 ETNA ISLAND	50
OK-4 GALAXY	52
OK-6 MILENIO ISLAND	54

Cabinet hoods

OK-3 VEGA, VEGA GLASS	56
OK-6 LINEA	58
OK-6 LINEA GLASS	60

Ceiling mounted hood

OK-6 ELIT	62
OK-6 LUXOR/INOX, GLASS	64
Extractor hoods for the catering industry	66

III. VILPE® ROOF FAN

Description of the fan roof VILPE®	67
Selection of the roof fan for the kitchen extractor hood	67
Construction of the fan	67

IV. ROOF FANS

P type models to be mounted on the roof	68
S type models to be mounted in the ventilation chimney	69

V. PASS-THROUGH

For tile roofing	70
For metal roofing	70
For bitumen roofing	71

VI. RECOMMENDATIONS

Installation recommendations	72
------------------------------------	----

A REALLY SILENT EXTRACTOR HOOD

IS THE EXTRACTOR HOOD IN THE VILPE® SILENT KITCHEN

A KITCHEN EXTRACTOR HOOD WITHOUT A BUILT-IN MOTOR AND CONNECTED TO A VILPE® ROOF FAN IS A PERFECTLY SILENT KITCHEN.

In this customized solution the function of a traditional motor working in the extractor hood right over our head is taken over by the motor installed in the roof fan. This system, in addition to its high efficiency, allows for the complete minimization of noise resulting from the work of a traditional extractor hood. Therefore it fully deserves its name.

Even the most silent and modern kitchen extractor hoods are not able to provide us with such comfort as the connection of the VILPE® fan to the motorless extractor hood. Silent operation is not the only advantage of this solution. Another one is its efficiency. Thanks to the underpressure created all the way through the ventilation duct, the strength of extraction of the contaminated air is much greater here than in traditional hoods.



Kitchen extractor hood
– traditional solution

Kitchen extractor hood and a fan
on the roof – silent kitchen

ADVANTAGES OF THE VILPE® SILENT KITCHEN

- Unique solution ensuring noiseless hood operation
- Extractor with exceptional efficiency thanks to the high performance of the roof fan
- A system that is easy and simple in installation, also to be used for modernization of a traditional ventilation solution
- Convenient control of the fan operation (a compatible combination of a fan on the roof with a motorless extractor hood offered in the Silent Kitchen system)
- Solution available for every type of roofing material and for every diameter of the ventilation duct, also for a brick duct
- Guaranteed 100% watertightness and durability of the system thanks to the highest quality products to be installed on the roof

3 COMPONENTS OF THE VILPE® SILENT KITCHEN

Each Silent Kitchen set consists of 3 components:



MOTORLESS EXTRACTOR HOOD



ROOF FAN



PASS-THROUGH

MOTORLESS HOODS

The range of hoods we have chosen for the SILENT KITCHEN system offers all types of models – cabinet, wall, ceiling and island. There are both the examples of the latest trends, as also retro models and classic models. The form and materials of the Toflesz extractor hoods are the reflection of careful design, and we have tested the safety of electrical connections and compatibility with the VILPE® fans for every situation.



model OK-6

TITAN



Control:	electronic
Speed rates:	4
LED lighting:	2x2 W 1x4 W
Dimensions:	600/900 mm
Finish:	toughened glass + lacquer
A winter start-up function:	a practical function activated after the extractor hood is turned on, for 20 seconds from the start the fan is working at a maximum speed
Timer:	9 min
Remote control:	remote control unit

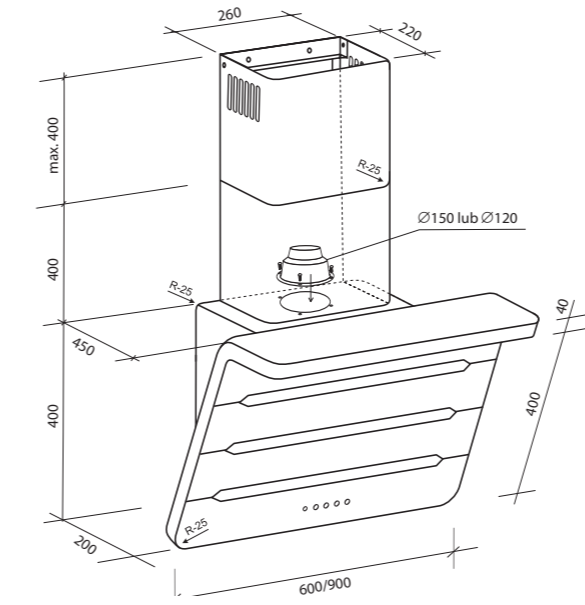


Recommended models of roof fans:

VILPE® E190	max. capacity of approx. 450 m ³ /h*
VILPE® E220	max. capacity of approx. 720 m ³ /h*
VILPE® ECo 190	max. capacity of approx. 650 m ³ /h*

* indicative capacities for the highest motor operation speed (for the pressure drop by 50 Pa which corresponds to the length of the ventilation duct between the hood and the fan on the roof of approx. 5 running meters)

To specify the price for the set appropriate for your kitchen, please contact our distributor or advisor.



Available Colours:
 Black glass
 White glass

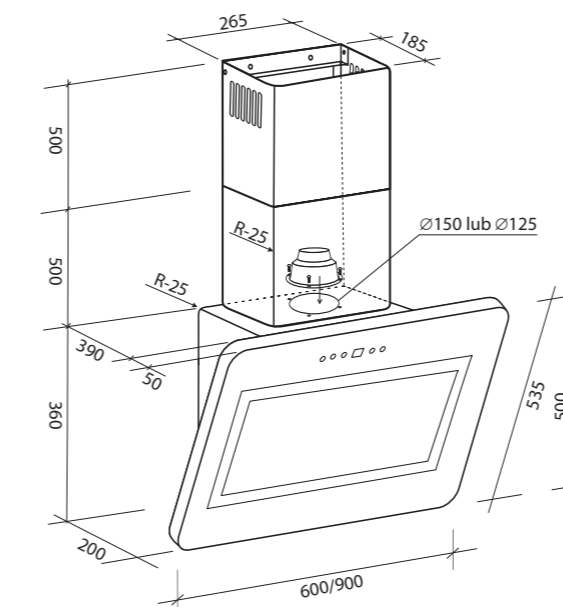


model OK-6

MAGNUM



Control:	electronic, touch display
Speed rates:	4
LED lighting:	2x2 W
Dimensions:	600/900 mm
Finish:	toughened glass + lacquer
A winter start-up function:	a practical function activated after the extractor hood is turned on, for 20 seconds from the start the fan is working at a maximum speed
Timer:	9 min
Remote control:	remote control unit



Available Colours:

 Black glass

 White glass



Recommended models of roof fans:

VILPE® E190	max. capacity of approx. 450 m ³ /h*
VILPE® E220	max. capacity of approx. 720 m ³ /h*
VILPE® ECo 190	max. capacity of approx. 650 m ³ /h*

* indicative capacities for the highest motor operation speed (for the pressure drop by 50 Pa which corresponds to the length of the ventilation duct between the hood and the fan on the roof of approx. 5 running meters)

To specify the price for the set appropriate for your kitchen, please contact our distributor or advisor.



model OK-6

FINEZJA



Control:	electronic, touch display
Speed rates:	6
LED lighting:	2x2 W
Dimensions:	600/800/900 mm
Finish:	toughened glass + lacquer
A winter start-up function:	a practical function activated after the extractor hood is turned on, for 20 seconds from the start the fan is working at a maximum speed
Timer:	20 min

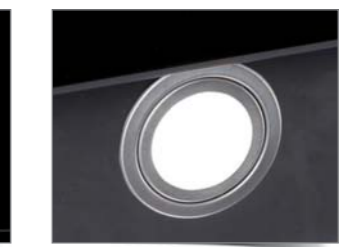
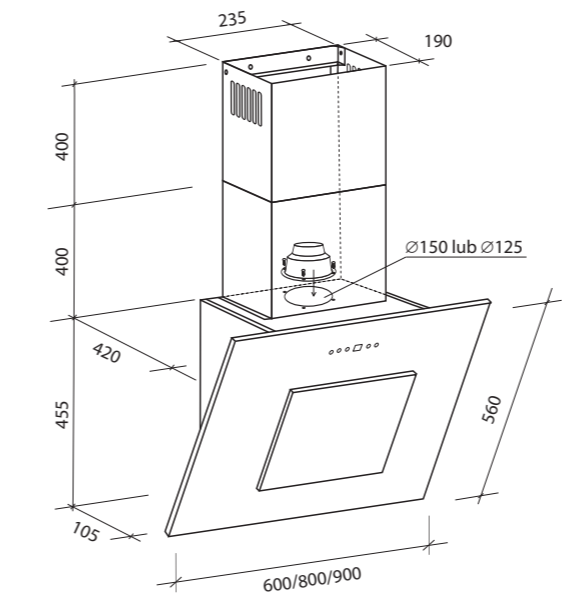


Recommended models of roof fans:

VILPE® E190	max. capacity of approx. 450 m ³ /h*
VILPE® E220	max. capacity of approx. 720 m ³ /h*
VILPE® ECo 190	max. capacity of approx. 650 m ³ /h*

* indicative capacities for the highest motor operation speed (for the pressure drop by 50 Pa which corresponds to the length of the ventilation duct between the hood and the fan on the roof of approx. 5 running meters)

To specify the price for the set appropriate for your kitchen, please contact our distributor or advisor.



Available Colours:



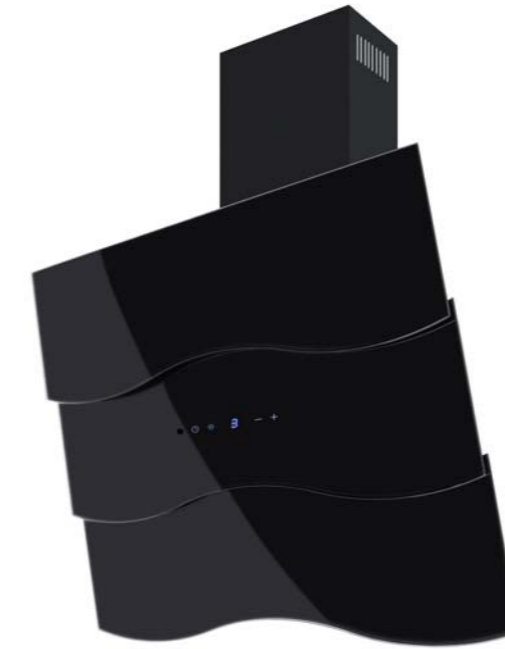
Black glass

White glass



model OK-6

FALA



Control:	electronic, touch display
Speed rates:	4
LED lighting:	2x2 W
Dimensions:	600/800/900 mm
Finish:	toughened glass + lacquer
A winter start-up function:	a practical function activated after the extractor hood is turned on, for 20 seconds from the start the fan is working at a maximum speed
Timer:	9 min
Remote control:	remote control unit

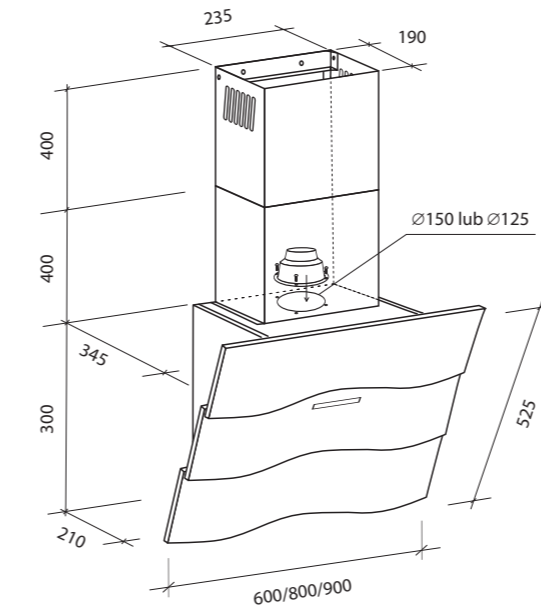


Recommended models of roof fans:

VILPE® E190	max. capacity of approx. 450 m ³ /h*
VILPE® E220	max. capacity of approx. 720 m ³ /h*
VILPE® ECo 190	max. capacity of approx. 650 m ³ /h*

* indicative capacities for the highest motor operation speed (for the pressure drop by 50 Pa which corresponds to the length of the ventilation duct between the hood and the fan on the roof of approx. 5 running meters)

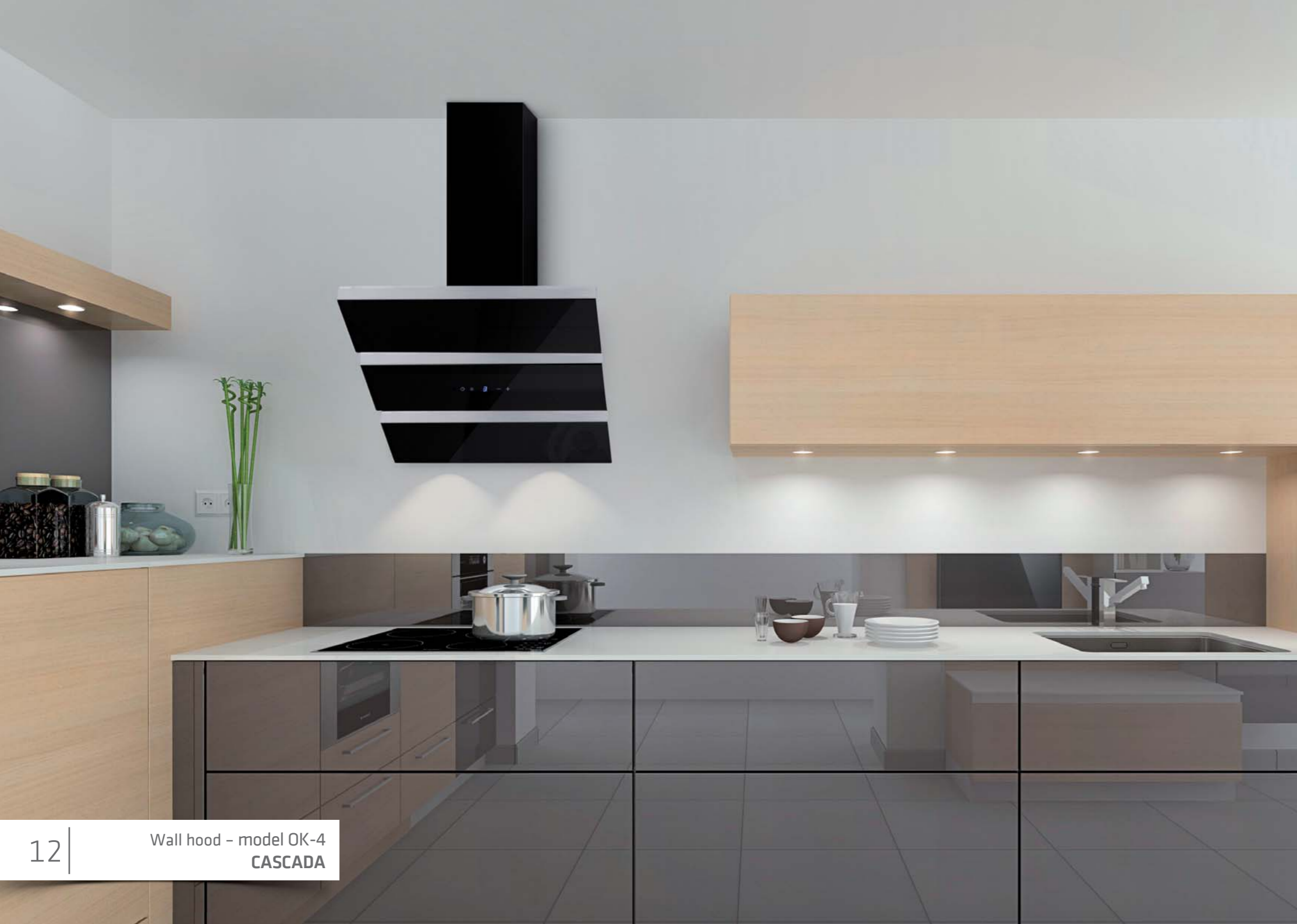
To specify the price for the set appropriate for your kitchen, please contact our distributor or advisor.



Available Colours:



Wall hood - model OK-6
FALA



model OK-6

CASCADA



Control:	electronic, touch display
Speed rates:	4
LED lighting:	2x2 W
Dimensions:	600/800/900 mm
Finish:	toughened glass
A winter start-up function:	a practical function activated after the extractor hood is turned on, for 20 seconds from the start the fan is working at a maximum speed
Timer:	9 min
Remote control:	remote control unit

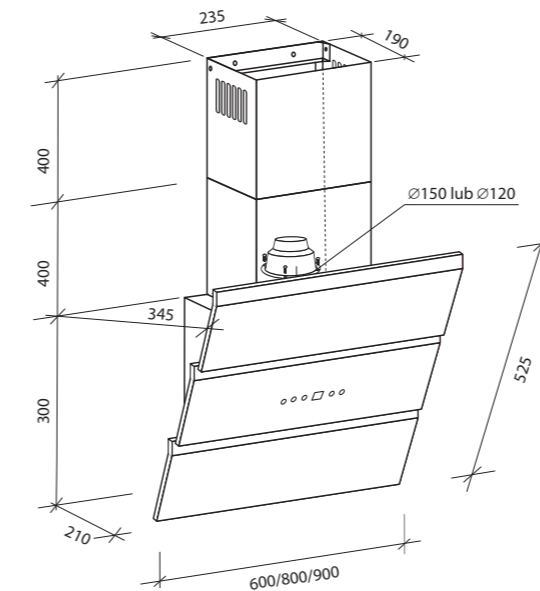


Recommended models of roof fans:

VILPE® E190	max. capacity of approx. 450 m ³ /h*
VILPE® E220	max. capacity of approx. 720 m ³ /h*
VILPE® ECo 190	max. capacity of approx. 650 m ³ /h*

* indicative capacities for the highest motor operation speed (for the pressure drop by 50 Pa which corresponds to the length of the ventilation duct between the hood and the fan on the roof of approx. 5 running meters)

To specify the price for the set appropriate for your kitchen, please contact our distributor or advisor.



Available Colours:  
Black White



model OK-6

CRISTAL GLASS



Control:	electronic, touch display
Speed rates:	4
LED lighting:	2x2 W
Dimensions:	600/900 mm
Finish:	inox satin + toughened glass
A winter start-up function:	a practical function activated after the extractor hood is turned on, for 20 seconds from the start the fan is working at a maximum speed
Timer:	9 min
Remote control:	remote control unit

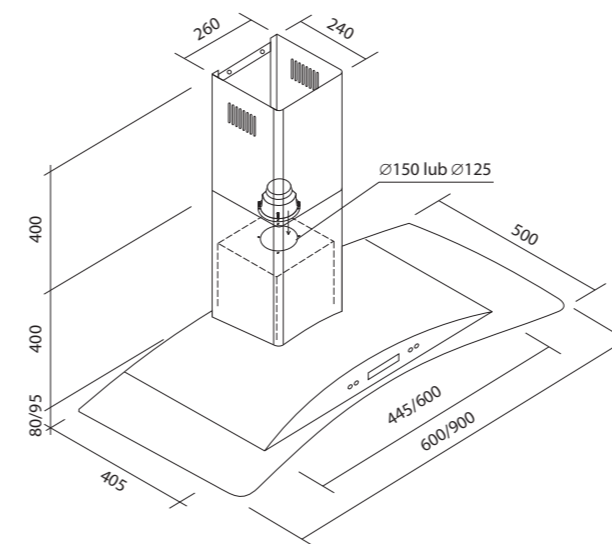


Recommended models of roof fans:

VILPE® E190	max. capacity of approx. 450 m ³ /h*
VILPE® E220	max. capacity of approx. 720 m ³ /h*
VILPE® ECo 190	max. capacity of approx. 650 m ³ /h*

* indicative capacities for the highest motor operation speed (for the pressure drop by 50 Pa which corresponds to the length of the ventilation duct between the hood and the fan on the roof of approx. 5 running meters)

To specify the price for the set appropriate for your kitchen, please contact our distributor or advisor.



Available Colours:



Black panel

Wall hood - model OK-6
CRISTAL GLASS

Wall hood - model OK-6
CRISTAL GLASS



model OK-6

ETNA



Control:	electronic, touch display
Speed rates:	4
LED lighting:	2x2 W
Dimensions:	600/900 mm
Finish:	inox + toughened glass
A winter start-up function:	a practical function activated after the extractor hood is turned on, for 20 seconds from the start the fan is working at a maximum speed
Timer:	9 min
Remote control:	remote control unit

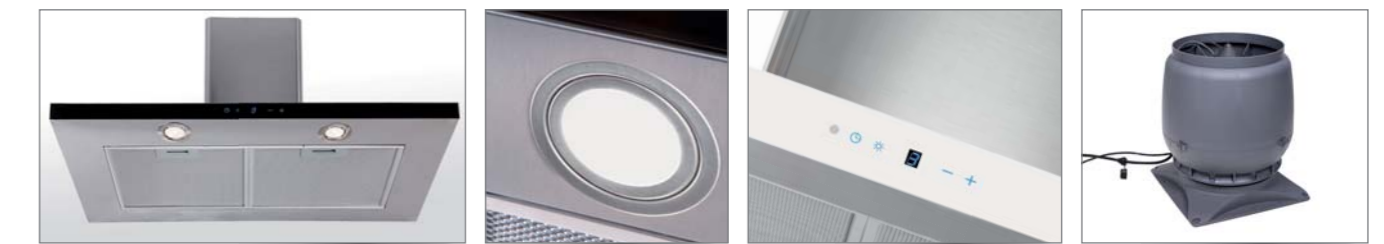
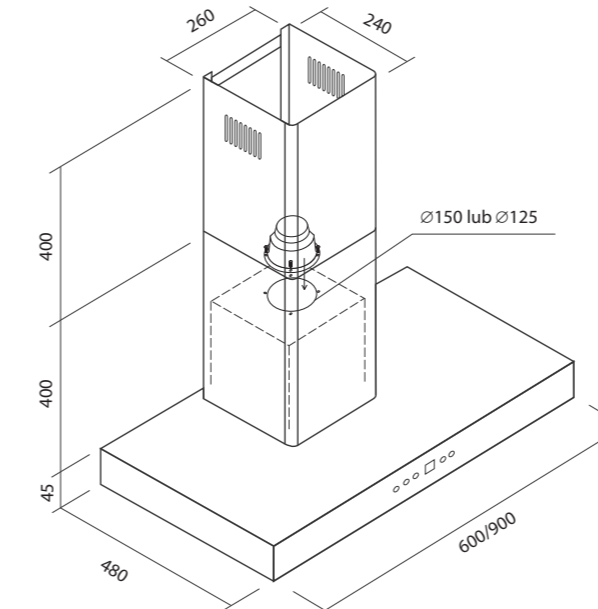


Recommended models of roof fans:

- VILPE® E190** max. capacity of approx. 450 m³/h*
- VILPE® E220** max. capacity of approx. 720 m³/h*
- VILPE® ECo 190** max. capacity of approx. 650 m³/h*

* indicative capacities for the highest motor operation speed (for the pressure drop by 50 Pa which corresponds to the length of the ventilation duct between the hood and the fan on the roof of approx. 5 running meters)

To specify the price for the set appropriate for your kitchen, please contact our distributor or advisor.



Available Colours:  
Black panel White panel



model OK-4

BALTIC



Control:	electronic display + push button
Speed rates:	4
LED lighting:	2x2 W
Dimensions:	ø 400 mm
Finish:	lacquer/inox satin
A winter start-up function:	a practical function activated after the extractor hood is turned on, for 20 seconds from the start the fan is working at a maximum speed
Timer:	9 min
Remote control:	remote control unit

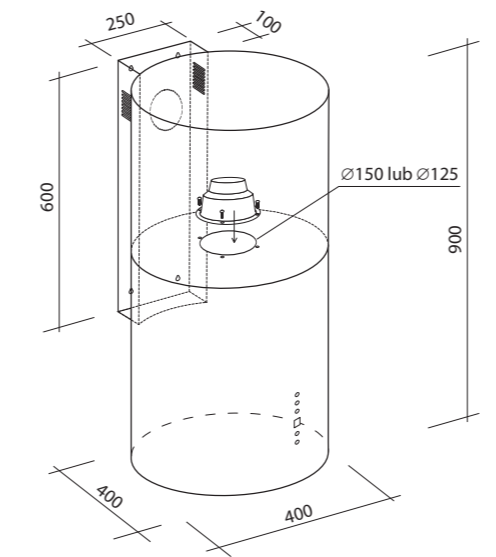


Recommended models of roof fans:

- VILPE® E190** max. capacity of approx. 450 m³/h*
- VILPE® E220** max. capacity of approx. 720 m³/h*
- VILPE® ECo 190** max. capacity of approx. 650 m³/h*

* indicative capacities for the highest motor operation speed (for the pressure drop by 50 Pa which corresponds to the length of the ventilation duct between the hood and the fan on the roof of approx. 5 running meters)

To specify the price for the set appropriate for your kitchen, please contact our distributor or advisor.





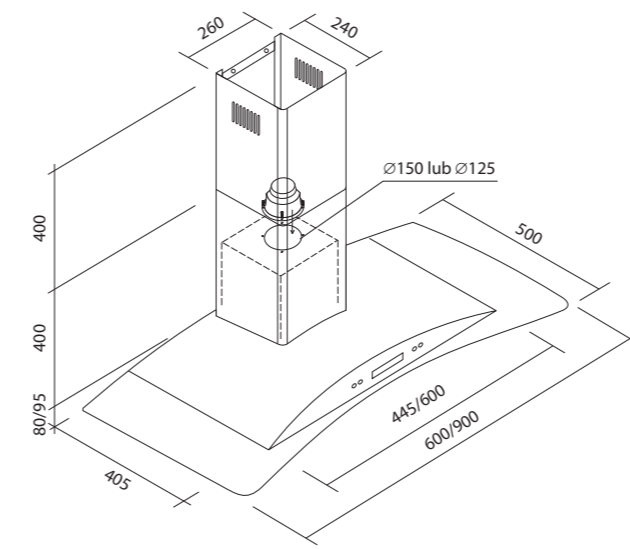
model OK-4


CRISTAL GLASS



Control:	electronic display + push button
Speed rates:	6
LED lighting:	2x2 W
Dimensions:	600/900 mm
Finish:	inox satin + toughened glass
A winter start-up function:	a practical function activated after the extractor hood is turned on, for 20 seconds from the start the fan is working at a maximum speed
Timer:	20 min
Remote control:	remote control unit

The offer includes also a model OK-3 CRISTAL GLASS with push button control.



Available Colours: 
Inox satin



Recommended models of roof fans:

VILPE® E190	max. capacity of approx. 450 m ³ /h*
VILPE® E220	max. capacity of approx. 720 m ³ /h*
VILPE® ECo 190	max. capacity of approx. 650 m ³ /h*

* indicative capacities for the highest motor operation speed (for the pressure drop by 50 Pa which corresponds to the length of the ventilation duct between the hood and the fan on the roof of approx. 5 running meters)

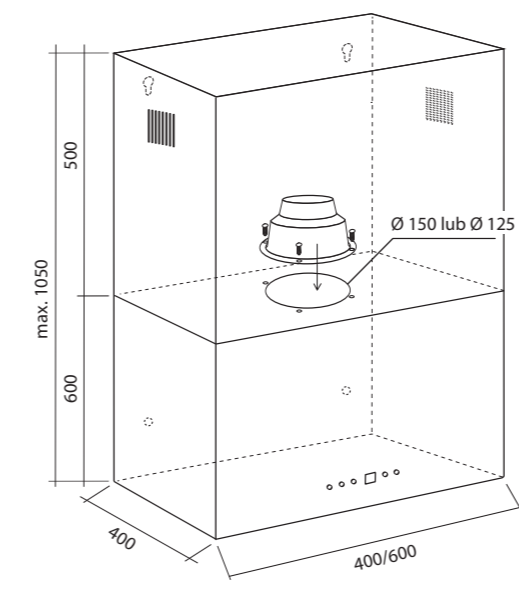
To specify the price for the set appropriate for your kitchen, please contact our distributor or advisor.



model OK-4

SANDY WALL

Control:	electronic display + push button
Speed rates:	4
LED lighting:	2x2 W
Dimensions:	400x400 mm 400x600 mm
Finish:	lacquer/inox satin
A winter start-up function:	a practical function activated after the extractor hood is turned on, for 20 seconds from the start the fan is working at a maximum speed
Timer:	9 min
Remote control:	remote control unit



Recommended models of roof fans:

VILPE® E190	max. capacity of approx. 450 m ³ /h*
VILPE® E220	max. capacity of approx. 720 m ³ /h*
VILPE® ECo 190	max. capacity of approx. 650 m ³ /h*

* indicative capacities for the highest motor operation speed (for the pressure drop by 50 Pa which corresponds to the length of the ventilation duct between the hood and the fan on the roof of approx. 5 running meters)

To specify the price for the set appropriate for your kitchen, please contact our distributor or advisor.



Available Colours:





model OK-3

FIERA SPRINT



Control:	push button
Speed rates:	3
LED lighting:	2x2 W
Dimensions:	600/800/900 mm
Finish:	toughened glass + lacquer

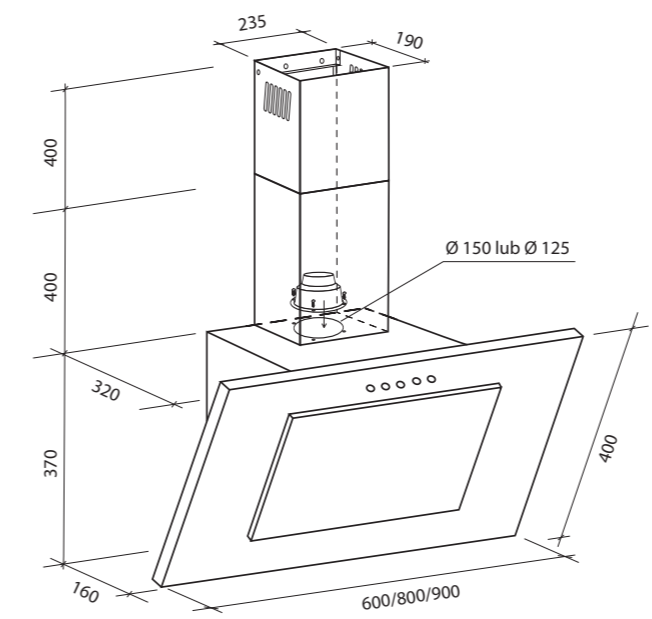


Recommended models of roof fans:

VILPE® E190	max. capacity of approx. 450 m ³ /h*
VILPE® E220	max. capacity of approx. 720 m ³ /h*
VILPE® ECo 190	max. capacity of approx. 650 m ³ /h*

* indicative capacities for the highest motor operation speed (for the pressure drop by 50 Pa which corresponds to the length of the ventilation duct between the hood and the fan on the roof of approx. 5 running meters)

To specify the price for the set appropriate for your kitchen, please contact our distributor or advisor.



Available Colours:  Black  White



model OK-3

SOLAR



Control:	push button
Speed rates:	3
LED lighting:	2x2 W
Dimensions:	600/900 mm
Finish:	toughened glass + lacquer

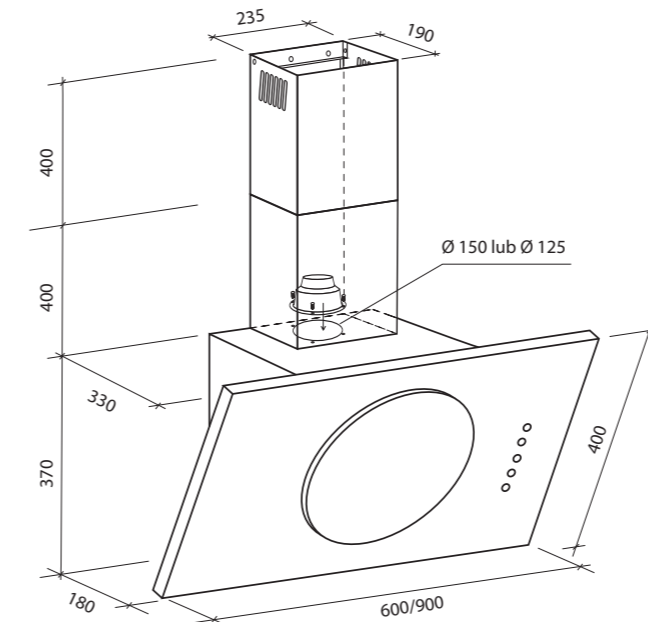


Recommended models of roof fans:

VILPE® E190	max. capacity of approx. 450 m ³ /h*
VILPE® E220	max. capacity of approx. 720 m ³ /h*
VILPE® ECo 190	max. capacity of approx. 650 m ³ /h*

* indicative capacities for the highest motor operation speed (for the pressure drop by 50 Pa which corresponds to the length of the ventilation duct between the hood and the fan on the roof of approx. 5 running meters)

To specify the price for the set appropriate for your kitchen, please contact our distributor or advisor.



Available Colours:

 Black

 White



model OK-3

VERTIS

Control:	push button
Speed rates:	3
LED lighting:	2x2 W
Dimensions:	600/900 mm
Finish:	toughened glass + lacquer

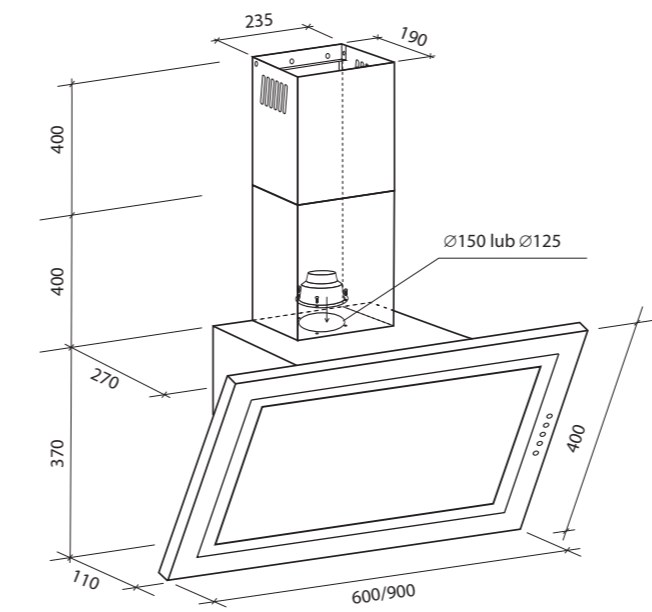


Recommended models of roof fans:

VILPE® E190	max. capacity of approx. 450 m ³ /h*
VILPE® E220	max. capacity of approx. 720 m ³ /h*
VILPE® ECo 190	max. capacity of approx. 650 m ³ /h*

* indicative capacities for the highest motor operation speed (for the pressure drop by 50 Pa which corresponds to the length of the ventilation duct between the hood and the fan on the roof of approx. 5 running meters)

To specify the price for the set appropriate for your kitchen, please contact our distributor or advisor.





model OK-3

CLASSIC PLUS



Control:	push button
Speed rates:	3
LED lighting:	2x2 W
Dimensions:	600/900 mm
Finish:	inox

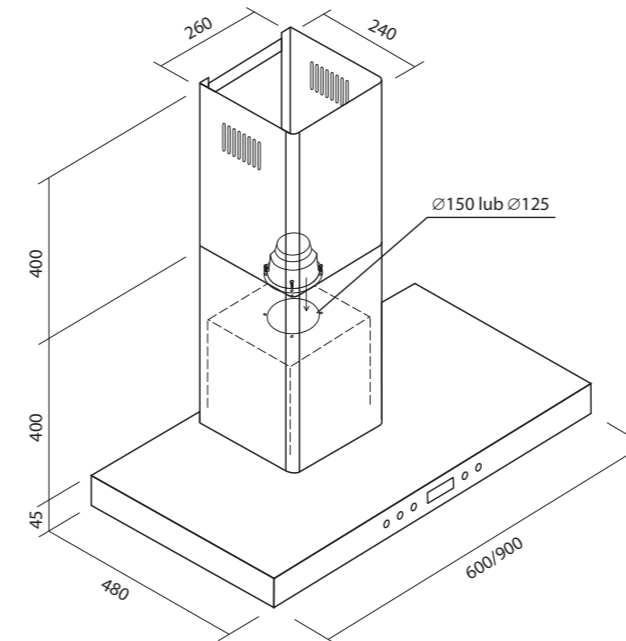


Recommended models of roof fans:

VILPE® E190	max. capacity of approx. 450 m ³ /h*
VILPE® E220	max. capacity of approx. 720 m ³ /h*
VILPE® ECo 190	max. capacity of approx. 650 m ³ /h*

* indicative capacities for the highest motor operation speed (for the pressure drop by 50 Pa which corresponds to the length of the ventilation duct between the hood and the fan on the roof of approx. 5 running meters)

To specify the price for the set appropriate for your kitchen, please contact our distributor or advisor.



Available Colours:



Inox satin

Wall hood - model OK-3
CLASSIC PLUS



model OK-3

RUSTICAL RODEO



Control:	push button
Speed rates:	3
LED lighting:	2x2 W
Dimensions:	600/900 mm
Finish:	lacquer + wood

Cooker hood available with the wooden panels in a natural beech like colour, panels are not stained nor varnished. Photos show the examples of the panel varnish.

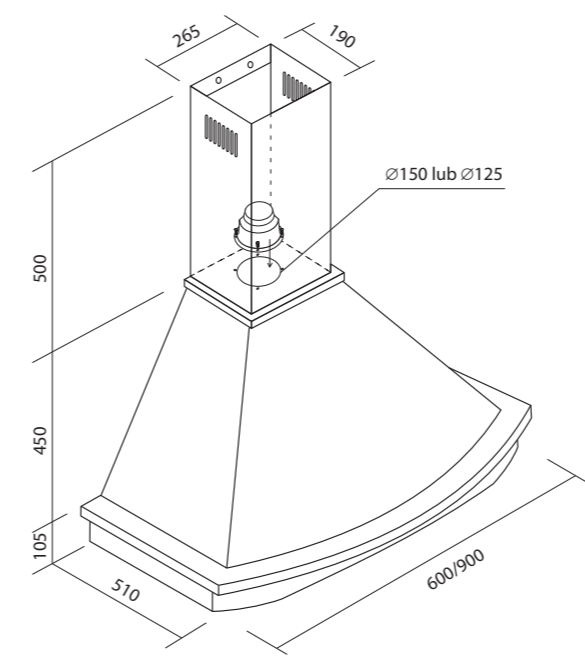


Recommended models of roof fans:

- VILPE® E190** max. capacity of approx. 450 m³/h*
- VILPE® E220** max. capacity of approx. 720 m³/h*
- VILPE® ECo 190** max. capacity of approx. 650 m³/h*

* indicative capacities for the highest motor operation speed (for the pressure drop by 50 Pa which corresponds to the length of the ventilation duct between the hood and the fan on the roof of approx. 5 running meters)

To specify the price for the set appropriate for your kitchen, please contact our distributor or advisor.



Available Colours:
Écru



model OK-2

RONDO

Control:	push button
Speed rates:	3
LED lighting:	1x25 W
Dimensions:	500/600 mm
Finish:	lacquer/inox satin

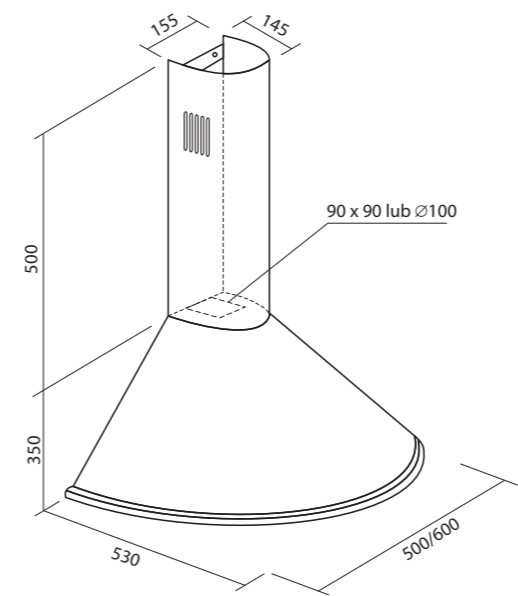


Recommended models of roof fans:

- VILPE® E190** max. capacity of approx. 450 m³/h*
- VILPE® E220** max. capacity of approx. 720 m³/h*
- VILPE® ECo 190** max. capacity of approx. 650 m³/h*

* indicative capacities for the highest motor operation speed (for the pressure drop by 50 Pa which corresponds to the length of the ventilation duct between the hood and the fan on the roof of approx. 5 running meters)

To specify the price for the set appropriate for your kitchen, please contact our distributor or advisor.



- Available Colours:
- Inox satin
 - Silver
 - Black
 - White
 - Copper antique
 - Écru



model OK-6

MAGNUM ISLAND



Control:	electronic, touch display
Speed rates:	4
LED lighting:	2x4 W
Dimensions:	600/900 mm
Finish:	toughened glass + lacquer
A winter start-up function:	a practical function activated after the extractor hood is turned on, for 20 seconds from the start the fan is working at a maximum speed
Timer:	9 min
Remote control:	remote control unit

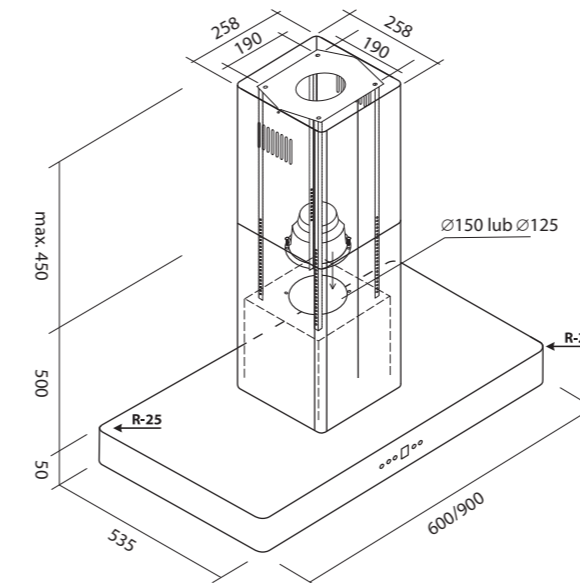


Recommended models of roof fans:

VILPE® E190	max. capacity of approx. 450 m ³ /h*
VILPE® E220	max. capacity of approx. 720 m ³ /h*
VILPE® ECo 190	max. capacity of approx. 650 m ³ /h*

* indicative capacities for the highest motor operation speed (for the pressure drop by 50 Pa which corresponds to the length of the ventilation duct between the hood and the fan on the roof of approx. 5 running meters)

To specify the price for the set appropriate for your kitchen, please contact our distributor or advisor.



Available Colours:





model OK-4

CYLINDER ISLAND

Control:	electronic display + push button
Speed rates:	4
LED lighting:	2x2 W
Dimensions:	ø 400 mm
Finish:	lacquer

A winter start-up function: a practical function activated after the extractor hood is turned on, for 20 seconds from the start the fan is working at a maximum speed

Timer: 9 min

Remote control: remote control unit



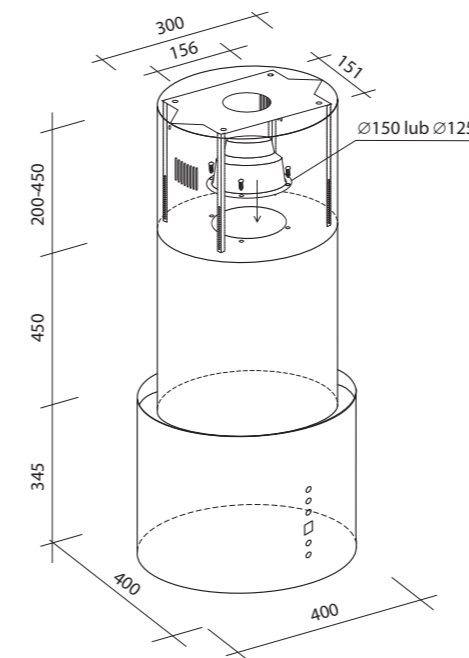
Recommended models of roof fans:

VILPE® E220 max. capacity of approx. 720 m³/h*

VILPE® E220 ECo max. capacity of approx. 900 m³/h*

* indicative capacities for the highest motor operation speed (for the pressure drop by 50 Pa which corresponds to the length of the ventilation duct between the hood and the fan on the roof of approx. 5 running meters)

To specify the price for the set appropriate for your kitchen, please contact our distributor or advisor.



Available Colours:

Black	White	Inox satin



model OK-4

OLIMPIA MAXI

Control:	electronic display + push button
Speed rates:	4
LED lighting:	4x2 W
Dimensions:	355x600 mm
Finish:	lacquer

A winter start-up function: a practical function activated after the extractor hood is turned on, for 20 seconds from the start the fan is working at a maximum speed

Timer: 9 min

Remote control: remote control unit



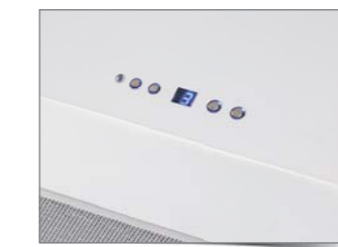
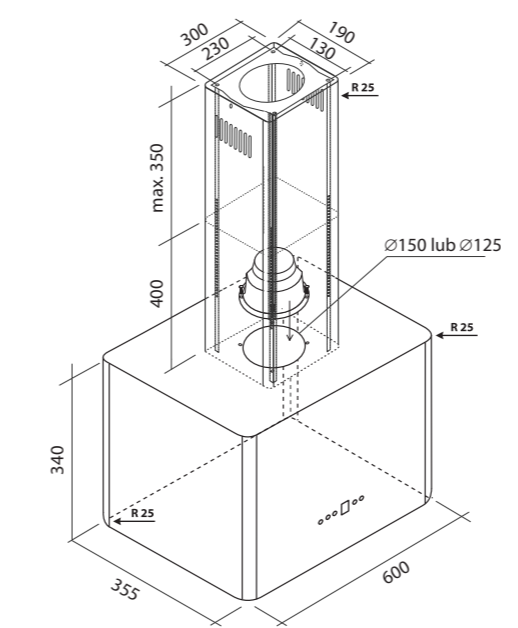
Recommended models of roof fans:

VILPE® E220 max. capacity of approx. 720 m³/h*

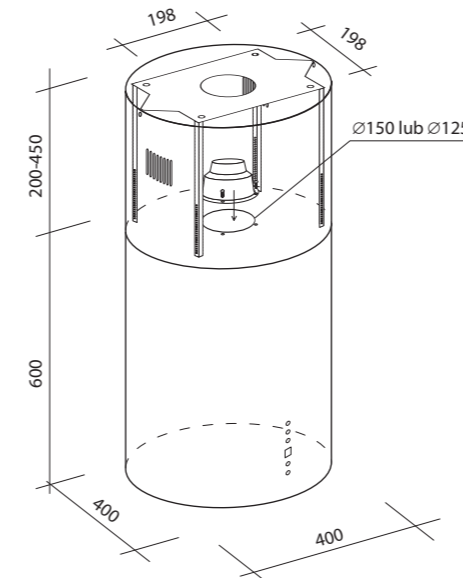
VILPE® E220 ECo max. capacity of approx. 900 m³/h*

* indicative capacities for the highest motor operation speed (for the pressure drop by 50 Pa which corresponds to the length of the ventilation duct between the hood and the fan on the roof of approx. 5 running meters)

To specify the price for the set appropriate for your kitchen, please contact our distributor or advisor.



Available Colours:  Black  White



model OK-4

BALTIC ISLAND

Control:	electronic display + push button
Speed rates:	4
LED lighting:	2x2 W
Dimensions:	ø 400 mm
Finish:	lacquer/Inox satin

A winter start-up function: a practical function activated after the extractor hood is turned on, for 20 seconds from the start the fan is working at a maximum speed

Timer: 9 min

Remote control: remote control unit



Recommended models of roof fans:

VILPE® E220 max. capacity of approx. 720 m³/h*

VILPE® E220 ECo max. capacity of approx. 900 m³/h*

* indicative capacities for the highest motor operation speed (for the pressure drop by 50 Pa which corresponds to the length of the ventilation duct between the hood and the fan on the roof of approx. 5 running meters)

To specify the price for the set appropriate for your kitchen, please contact our distributor or advisor.



Available Colours:



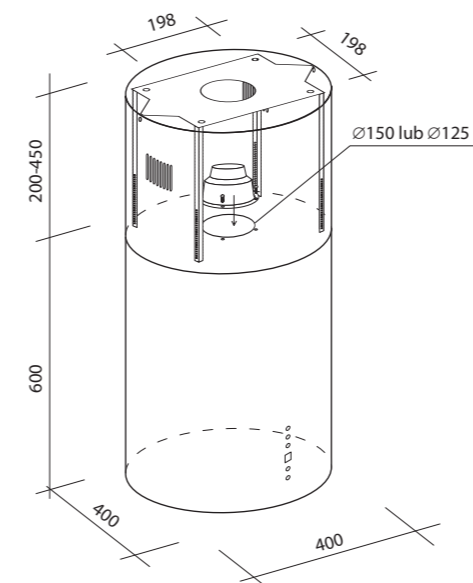
Black



White



Inox satin



model OK-4

BALTIC ISLAND

Control:	electronic display + push button
Speed rates:	4
LED lighting:	2x2 W
Dimensions:	ø 400 mm
Finish:	lacquer

A winter start-up function: a practical function activated after the extractor hood is turned on, for 20 seconds from the start the fan is working at a maximum speed

Timer: **9 min**

Remote control: **remote control unit**



Recommended models of roof fans:

VILPE® E220 max. capacity of approx. 720 m³/h*

VILPE® E220 ECo max. capacity of approx. 900 m³/h*

* indicative capacities for the highest motor operation speed (for the pressure drop by 50 Pa which corresponds to the length of the ventilation duct between the hood and the fan on the roof of approx. 5 running meters)

To specify the price for the set appropriate for your kitchen, please contact our distributor or advisor.



Available Colours:





model OK-4

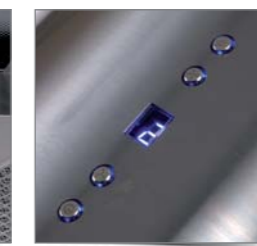
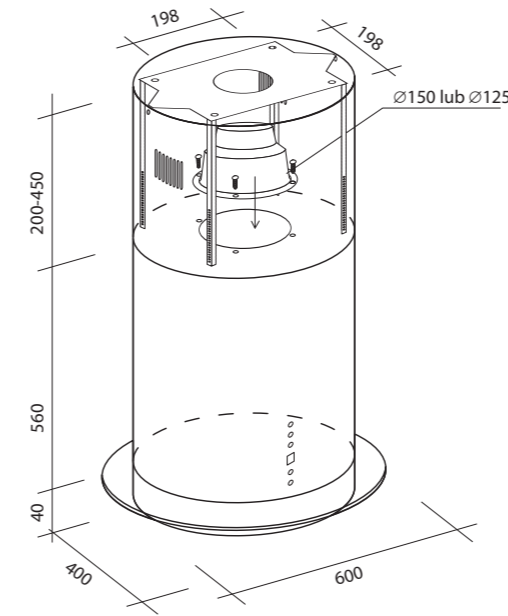
BALTIC ISLAND GLASS

Control:	electronic display + push button
Speed rates:	4
LED lighting:	2x2 W
Dimensions:	ø 600 mm
Finish:	lacquer/Inox satin + toughened glass

A winter start-up function: a practical function activated after the extractor hood is turned on, for 20 seconds from the start the fan is working at a maximum speed

Timer: 9 min

Remote control: remote control unit



Available Colours:



Black



White



Inox satin



Recommended models of roof fans:

VILPE® E220 max. capacity of approx. 720 m³/h*

VILPE® E220 ECo max. capacity of approx. 900 m³/h*

* indicative capacities for the highest motor operation speed (for the pressure drop by 50 Pa which corresponds to the length of the ventilation duct between the hood and the fan on the roof of approx. 5 running meters)

To specify the price for the set appropriate for your kitchen, please contact our distributor or advisor.



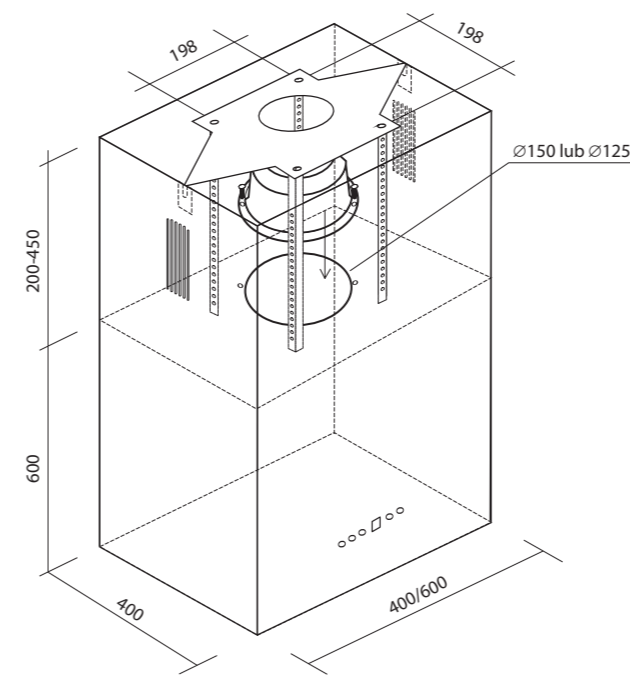
model OK-4

SANDY ISLAND

Control:	electronic display + push button
Speed rates:	4
LED lighting:	4x2 W
Dimensions:	400x400 mm 400x600 mm
Finish:	lacquer/inox satin

A winter start-up function: a practical function activated after the extractor hood is turned on, for 20 seconds from the start the fan is working at a maximum speed

Timer:	9 min
Remote control:	remote control unit



Recommended models of roof fans:

VILPE® E220	max. capacity of approx. 720 m³/h*
VILPE® E220 ECo	max. capacity of approx. 900 m³/h*

* indicative capacities for the highest motor operation speed (for the pressure drop by 50 Pa which corresponds to the length of the ventilation duct between the hood and the fan on the roof of approx. 5 running meters)

To specify the price for the set appropriate for your kitchen, please contact our distributor or advisor.



Available Colours:

Black	White	Inox satin



model OK-6

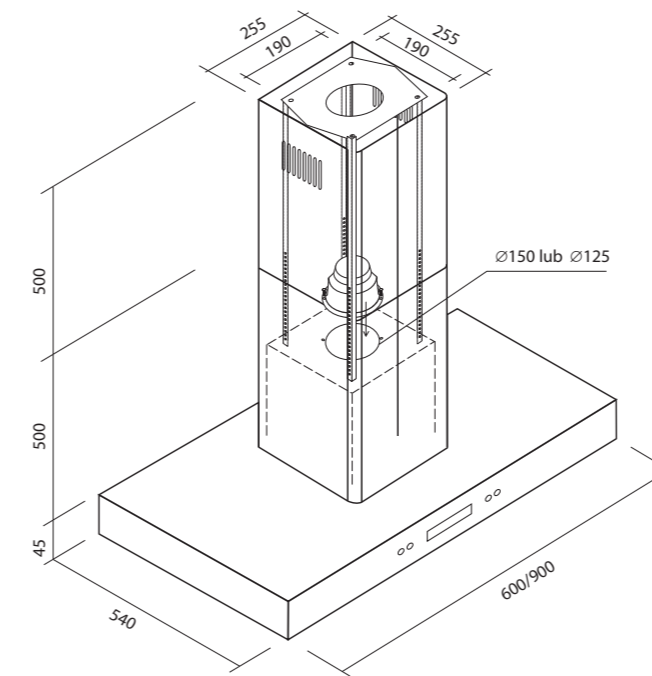
ETNA ISLAND



Control:	electronic, touch display
Speed rates:	4
LED lighting:	4x2 W
Dimensions:	600/900 mm
Finish:	toughened glass + inox satin

A winter start-up function: **a practical function activated after the extractor hood is turned on, for 20 seconds from the start the fan is working at a maximum speed**

Timer:	9 min
Remote control:	remote control unit



Available Colours:
 Black panel
 White panel



Recommended models of roof fans:

VILPE® E220	max. capacity of approx. 720 m ³ /h*
VILPE® E220 ECo	max. capacity of approx. 900 m ³ /h*

* indicative capacities for the highest motor operation speed (for the pressure drop by 50 Pa which corresponds to the length of the ventilation duct between the hood and the fan on the roof of approx. 5 running meters)

To specify the price for the set appropriate for your kitchen, please contact our distributor or advisor.



model OK-4

GALAXY

Control:	electronic display + push button
Speed rates:	4
LED lighting:	2x2 W
Dimensions:	Ø 500 mm
Finish:	lacquer

A winter start-up function: **a practical function activated after the extractor hood is turned on, for 20 seconds from the start the fan is working at a maximum speed**

Timer: **9 min**

Remote control: **remote control unit**



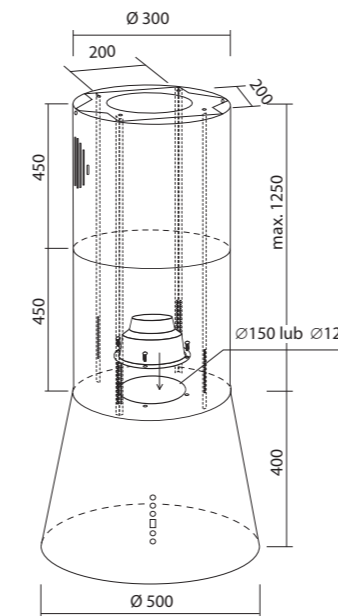
Recommended models of roof fans:

VILPE® E220 max. capacity of approx. 720 m³/h*

VILPE® E220 ECo max. capacity of approx. 900 m³/h*

* indicative capacities for the highest motor operation speed (for the pressure drop by 50 Pa which corresponds to the length of the ventilation duct between the hood and the fan on the roof of approx. 5 running meters)

To specify the price for the set appropriate for your kitchen, please contact our distributor or advisor.



Available Colours:



Black



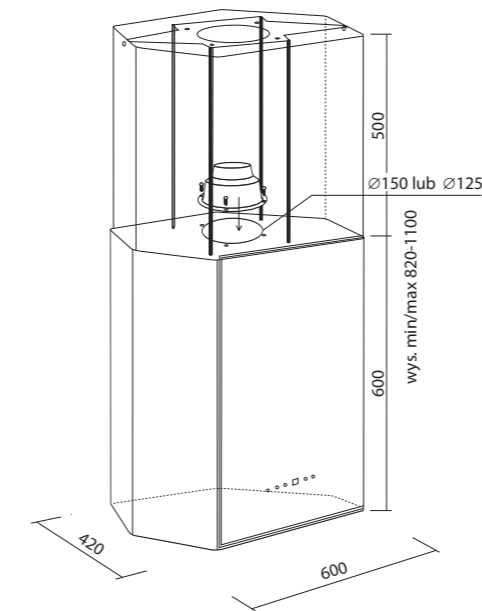
White



model OK-6

MILENIO ISLAND

Control:	electronic, touch display
Speed rates:	4
LED lighting:	2x2 W
Dimensions:	600 mm
Finish:	lacquer + toughened glass
A winter start-up function:	a practical function activated after the extractor hood is turned on, for 20 seconds from the start the fan is working at a maximum speed
Timer:	9 min
Remote control:	remote control unit



Available Colours:



Recommended models of roof fans:

VILPE® E220 max. capacity of approx. 720 m³/h*

VILPE® E220 ECo max. capacity of approx. 900 m³/h*

* indicative capacities for the highest motor operation speed (for the pressure drop by 50 Pa which corresponds to the length of the ventilation duct between the hood and the fan on the roof of approx. 5 running meters)

To specify the price for the set appropriate for your kitchen, please contact our distributor or advisor.



model OK-3

VEGA, VEGA GLASS



Control:	mechanical
Speed rates:	3
LED lighting:	2x2 W
Dimensions:	500/600 mm
Finish:	inox + toughened glass

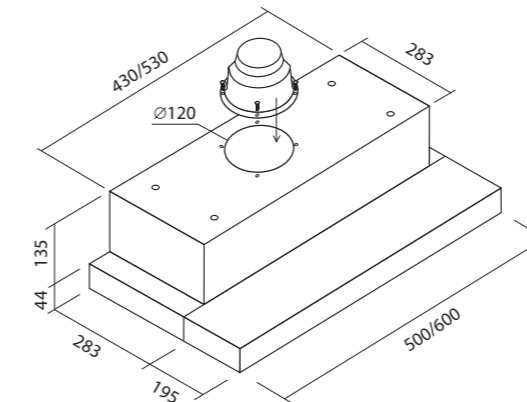


Recommended models of roof fans:

VILPE® E190	max. capacity of approx. 450 m ³ /h*
VILPE® E220	max. capacity of approx. 720 m ³ /h*
VILPE® ECo 190	max. capacity of approx. 650 m ³ /h*

* indicative capacities for the highest motor operation speed (for the pressure drop by 50 Pa which corresponds to the length of the ventilation duct between the hood and the fan on the roof of approx. 5 running meters)

To specify the price for the set appropriate for your kitchen, please contact our distributor or advisor.





model OK-6

LINEA



Control:	electronic, touch display
Speed rates:	4
LED lighting:	2x2 W
Dimensions:	564/864 mm
Finish:	inox satin + toughened glass
A winter start-up function:	a practical function activated after the extractor hood is turned on, for 20 seconds from the start the fan is working at a maximum speed
Timer:	9 min
Remote control:	remote control unit

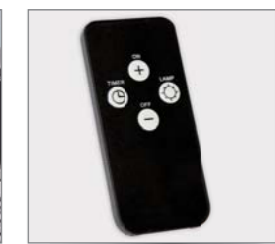
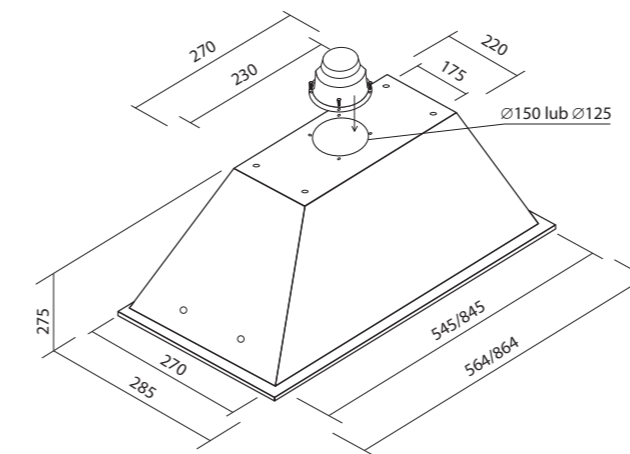


Recommended models of roof fans:

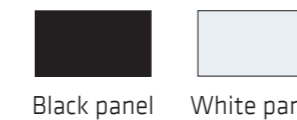
VILPE® E190	max. capacity of approx. 450 m ³ /h*
VILPE® E220	max. capacity of approx. 720 m ³ /h*
VILPE® ECo 190	max. capacity of approx. 650 m ³ /h*

* indicative capacities for the highest motor operation speed (for the pressure drop by 50 Pa which corresponds to the length of the ventilation duct between the hood and the fan on the roof of approx. 5 running meters)

To specify the price for the set appropriate for your kitchen, please contact our distributor or advisor.



Available Colours:



Black panel White panel



model OK-6

LINEA GLASS



Control:	electronic, touch display
Speed rates:	4
LED lighting:	2x2 W
Dimensions:	564/864 mm
Finish:	lacquer + toughened glass
A winter start-up function:	a practical function activated after the extractor hood is turned on, for 20 seconds from the start the fan is working at a maximum speed
Timer:	9 min
Remote control:	remote control unit

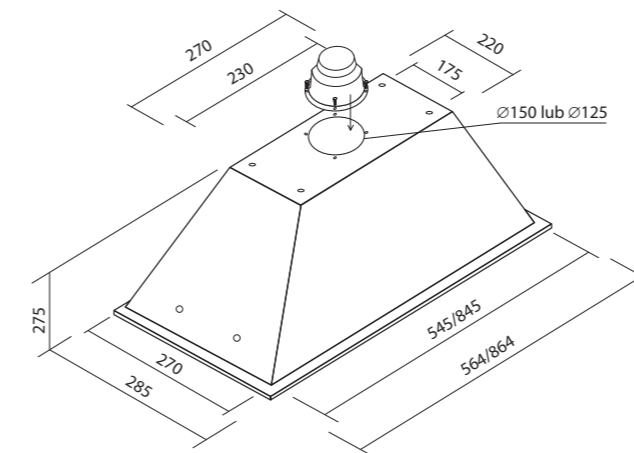


Recommended models of roof fans:

VILPE® E190	max. capacity of approx. 450 m ³ /h*
VILPE® E220	max. capacity of approx. 720 m ³ /h*
VILPE® ECo 190	max. capacity of approx. 650 m ³ /h*

* indicative capacities for the highest motor operation speed (for the pressure drop by 50 Pa which corresponds to the length of the ventilation duct between the hood and the fan on the roof of approx. 5 running meters)

To specify the price for the set appropriate for your kitchen, please contact our distributor or advisor.



Available Colours:





model OK-6

ELIT



Control:	electronic, touch display
Speed rates:	4
LED lighting:	2x4 W
Dimensions:	960 mm
Finish:	lacquer + toughened glass
A winter start-up function:	a practical function activated after the extractor hood is turned on, for 20 seconds from the start the fan is working at a maximum speed
Timer:	9 min
Remote control:	remote control unit

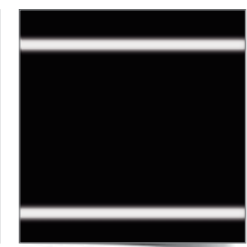
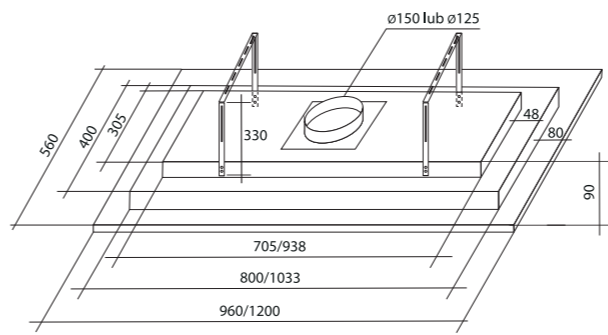


Recommended models of roof fans:

- VILPE® E220 ECo** max. capacity of approx. 900 m³/h*
- VILPE® E250 ECo** max. capacity of approx. 1200 m³/h*

* indicative capacities for the highest motor operation speed (for the pressure drop by 50 Pa which corresponds to the length of the ventilation duct between the hood and the fan on the roof of approx. 5 running meters)

To specify the price for the set appropriate for your kitchen, please contact our distributor or advisor.



Available Colours:  
Black glass White glass



model OK-6

LUXOR INOX, GLASS



Control:	electronic, touch display
Speed rates:	4
LED lighting:	4x2 W
Dimensions:	960 mm
Finish:	lacquer/inox + toughened glass
A winter start-up function:	a practical function activated after the extractor hood is turned on, for 20 seconds from the start the fan is working at a maximum speed
Timer:	9 min
Remote control:	remote control unit



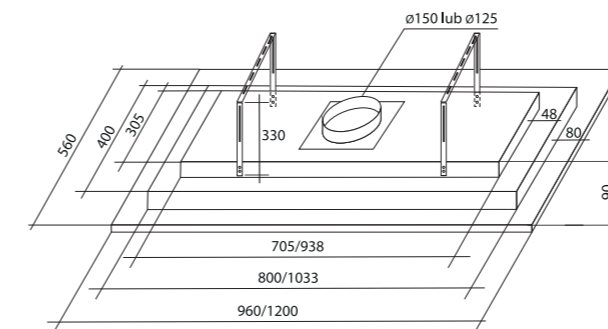
Recommended models of roof fans:

VILPE® E220 ECo max. capacity of approx. 900 m³/h*

VILPE® E250 ECo max. capacity of approx. 1200 m³/h*

* indicative capacities for the highest motor operation speed (for the pressure drop by 50 Pa which corresponds to the length of the ventilation duct between the hood and the fan on the roof of approx. 5 running meters)

To specify the price for the set appropriate for your kitchen, please contact our distributor or advisor.



Available Colours:

-  Black glass
-  White glass
-  Inox satin

Ceiling mounted hood - model OK-6
LUXOR/INOX, GLASS

EXTRACTOR HOODS FOR THE CATERING INDUSTRY

OFFER FOR RESTAURANTS, BARS AND OTHER CATERING FACILITIES

We follow our customers' changing needs in order to meet the expectations of even those most demanding ones. We make every effort so that the extractor hoods for the catering industry available in our offer are distinguished by the highest quality, reliability and ergonomics. They are manufactured from stainless steel in a technology which excludes the occurrence of hard-to-reach areas. This ensures the extractor hood is easily maintained clean and guarantees hygiene.

The dimensions of the extractor hood, the type of materials used and the type and the power of the VILPE® fan connected to it are selected in accordance with individual customer needs. Please contact our sales department to make arrangements in this regard.



VILPE® ROOF FAN

This fan is a key component of the VILPE® silent kitchen. In this category it is the highest quality device whose installation guarantees long and reliable operation providing excellent ventilation of the rooms not only in the kitchen but in the entire house. It is distinguished by its light structure (external casing is made of high quality polypropylene), high resistance to mechanical damage and difficult weather conditions. Regardless of the temperature and climatic conditions (tested in both arctic and tropical climate) fans work faultless. Lifetime of the VILPE® roof fans reaches up to 15-20 years. The motors are long-lived and rarely fail.



The motors used in the VILPE® fans come from a reputable German company EBM PAPST, the world leading manufacturer of fans and motors, awarded numerous times for both the latest technological solutions, as also achievements in the scope of climate and environmental protection.



P type models

mounted on the roof with the use of a suitable pass-through



S type models

mounted on the ventilation chimney with the use of an installation set

SELECTION OF THE ROOF FAN FOR THE KITCHEN EXTRACTOR HOOD

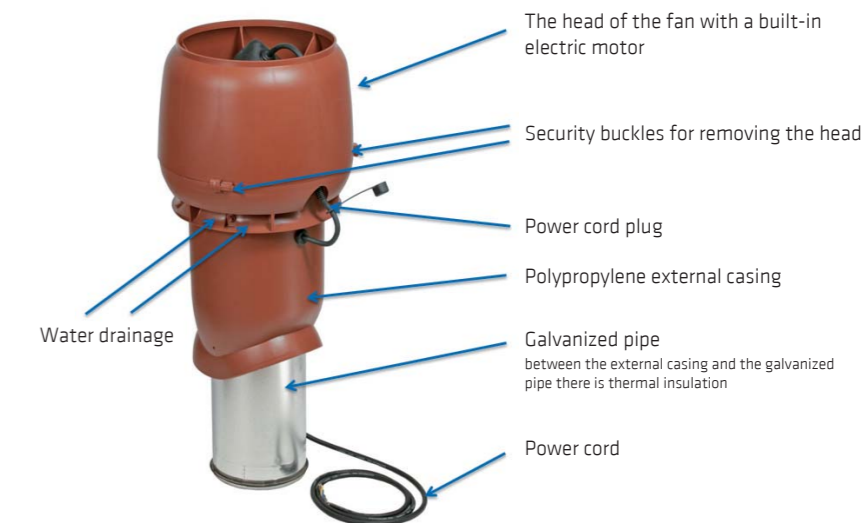
Air flow required for the ventilation duct of the kitchen extractor hood depends on the size of the cooker, the height of the hood and a number of other parameters. It is assumed that 1 running meter of a ventilation duct is the loss of compression 5 Pa plus 30 Pa for the cooker hood.

ventilator	duct	50 Pa*	100 Pa**	Type of hood
E190	125 mm	450 m³/h	370 m³/h	Wall mounted hood (bigger model)
E220	160 mm	720 m³/h	620 m³/h	Wall mounted hood / Island mounted hood
Eco190	125 mm	650 m³/h	580 m³/h	Wall mounted hood (bigger model)
Eco220	160 mm	900 m³/h	780 m³/h	Island and ceiling mounted hood (bigger model)
Eco250	200 mm	1250 m³/h	1100 m³/h	Island and ceiling mounted hood (bigger model)

* - example of capacity for the ventilation duct length, from the hood to the fan on the roof, of approx. 5 running meters





** - example of capacity for the ventilation duct length, from the hood to the fan on the roof, of approx. 15 running meters

CONSTRUCTION OF THE FAN



ROOF FANS

P type models to be mounted on the roof

	colour	product code	
VILPE® E190P Ø125/IS/500 roof fan			
Powered roof fan with Ø125 mm inner pipe. Made of polypropylene. Outer diameter 225 mm, height 500 mm. Inner pipe made of galvanized sheet steel. Screws for fixing the roof fan to a pass-through are included. Pass-throughs for different roofing materials sold separately.	Black Brown Green Grey Red Brick Red	73592 73594 73596 73597 73598 73599	
VILPE® E220P Ø160/IS/500 roof fan			
Powered roof fan with Ø160 mm inner pipe. Outer diameter 225 mm, height 500 mm. Inner pipe made from galvanized sheet steel. Screws for fixing the roof fan to a pass-through are included. Pass-throughs for different roofing materials sold separately.	Black Brown Green Grey Red Brick Red	73472 73474 73476 73477 73478 73479	
VILPE® XL E220P Ø160/IS/500 roof fan			
Powered roof fan with Ø160 mm inner pipe. Outer diameter 300 mm, height 500 mm. Inner pipe made of galvanized sheet steel. Screws for fixing the roof fan to a pass-through are included. XL pass-throughs for different roofing materials sold separately.	Black Brown Green Grey Red Brick Red	734502 734504 734506 734507 734508 734509	
XL E250P Ø200/IS/500 roof fan			
Powered roof fan with Ø200 mm inner pipe. Outer diameter 300 mm, height 500 mm. Inner pipe made of galvanized sheet steel. Screws for fixing the roof fan to a pass-through are included. XL pass-throughs for different roofing materials sold separately.	Black Brown Green Grey Red Brick Red	734712 734714 734716 734717 734718 734719	

P type models to be mounted on the roof




	colour	product code	
VILPE® ECo 190P/125/500 roof fan			
Powered roof fan with Ø125 mm inner pipe. Made of polypropylene. Outer diameter 225 mm, height 500 mm. Energy-saving roof fan with a DC motor. VILPE R ECo fans can be controlled with remote control, which uses a standard 0-10 V voltage message.	Black Brown Green Grey Red Brick Red jasny Grey	737342 737344 737346 737347 737348 737349 737341	 
VILPE® ECo 220P Ø160/IS/500 roof fan			
Powered roof fan with Ø160 mm inner pipe. Outer diameter 225 mm, height 500 mm. Inner pipe made from galvanized sheet steel. Screws for fixing the roof fan to a pass-through are included. Pass-throughs for different roofing materials sold separately.	Black Brown Green Grey Red Brick Red Light Grey	737382 737384 737386 737387 737388 737389 737381	 
VILPE® ECo 250P/200/500 roof fan			
Energy-saving ECo roof fan with a DC motor. Ø200 mm inner pipe. Made of polypropylene. Outer diameter 300 mm, height 500 mm. VILPER ECo fans can be controlled with remote control, which uses a standard 0-10 V voltage message.	Black Brown Green Grey Red Brick Red	737442 737444 737446 737447 737448 737449	 

ROOF FANS

S type models to be mounted in the ventilation chimney




	colour	product code	
VILPE® E190S Ø125 roof fan			
Powered roof fan made of polypropylene for Ø125 mm duct. When installing a flat surface the installation set E150S/E190S is needed. S-Roof fan can also be installed on the pipe without the installation set.	Black Brown Green Grey Red Brick Red	73582 73584 73586 73587 73588 73589	
VILPE® E220S Ø160 roof fan			
Powered roof fan made of polypropylene for Ø160 mm duct. When installing on a flat surface the installation set E220S is needed. S-Roof fan can also be installed on the pipe without the installation set.	Black Brown Green Grey Red Brick Red	735912 735914 735916 735917 735918 735919	
VILPE® ECo190S + installation set			
Powered roof fan made of polypropylene for Ø125 mm duct. Energy-saving roof fan with a DC motor. VILPE® ECo fans can be controlled with remote control, which uses a standard 0-10 V voltage message.	Black Brown Green Grey Red Brick Red	737512 737514 737516 737517 737518 737519	 
VILPE® ECo 220S + installation set			
Powered roof fan made of polypropylene for Ø160 mm duct. Energy-saving roof fan with a DC motor. VILPE® ECo fans can be controlled with remote control, which uses a standard 0-10 V voltage message.	Black Brown Green Grey Red Brick Red	737392 737394 737396 737397 737398 737399	 
VILPE® ECo 250S + installation set			
Energy-saving ECo roof fan with a DC motor for Ø200 mm duct. Made of polypropylene. VILPE® ECo fans can be controlled with remote control, which uses a standard 0 10 V voltage message. Includes installation set (400x400 mm) for installing on a flat surface. S-Roof fan can also be installed on the pipe without the installation set.	Black Brown Green Grey Red Brick Red	737452 737454 737456 737457 737458 737459	 

S type models to be mounted in the ventilation chimney

	colour	product code	
VILPE® Installation set 250x250 Ø125			
For installing E120S and ECo110S (notice: Ø125 mm) roof fan on a flat surface the installation set is needed. The measurements of the square sealed installation set are 250x250 mm and the surface has to be at least same size. Fixing screws and a galvanized sheet steel connection pipe are included.	Black Brown Green Grey Red Brick Red	736722 736724 736726 736727 736728 736729	
VILPE® Installation set 300x300 Ø125			
When installing E190S ja ECo190S roof fans on a flat surface the installation set is needed. The measurements of the square sealed installation set are 300x300 mm and the surface has to be at least same size. Fixing screws and a galvanized sheet steel connection pipe are included.	Black Brown Green Grey Red Brick Red	736862 736864 736866 736867 736868 736869	
VILPE® Installation set 300x300 Ø160			
When installing E220S and ECo220S roof fans on a flat surface the installation set is needed. The measurements of the square sealed installation set are 300x300 mm and the surface has to be at least same size. Fixing screws and a galvanized sheet steel connection pipe are included.	Black Brown Green Grey Red Brick Red	736842 736844 736846 736847 736848 736849	

PASS-THROUGH



for tile roofing

	colour	product code	
VILPE® PT 10 pass-through			
VILPE® PT 10 tile pass-through is designed for installing VILPE® roof fans, exhaust ventilation pipes and other VILPE® products on the Roben Monza Plus tile roof.	Black Brown Red Brick Red	740772 740774 740778 740779	
VILPE® PT 20 pass-through			
VILPE® PT 20 tile pass-through is designed for installing VILPE® roof fans, exhaust ventilation pipes and other VILPE® products on the Karpowka tile roof.	Black Red Brick Red Brown	740782 740784 740788 740789	
VILPE® PT 30 pass-through			
VILPE® PT 30 tile pass-through is designed for installing VILPE® roof fans, exhaust ventilation pipes and other VILPE® products on the Braas Amber V12 tile roof.	Black Red Brick Red Brown	741052 741058 741059 741054	





PASS-THROUGH

for tile roofing




	colour	product code	
VILPE® PT 40 pass-through VILPE® PT 40 tile pass-through is designed for installing VILPE® roof fans, exhaust ventilation pipes and other VILPE® products on the Creaton Balance tile roof.	Black	741079	
	Brown	741078	
	Grey	741077	
	Red	741074	
	Brick Red	741072	
VILPE® PT 50 pass-through VILPE® PT 40 tile pass-through is designed for installing VILPE® roof fans, exhaust ventilation pipes and other VILPE® products on the Koramic Renesansowa L15 tile roof.	Black	741082	
	Brown	741084	
	Grey	741087	
	Red	741088	
	Brick Red	741089	
VILPE® PT 60 pass-through VILPE® PT 60 tile pass-through is designed for installing VILPE® roof fans, exhaust ventilation pipes and other VILPE® products on the Roben Piemont tile roof.	Black	741092	
	Brown	741094	
	Grey	741097	
	Red	741098	
	Brick Red	741099	
VILPE® Universal tile pass-through set The Universal tile pass-through set is designed to fit all tile roofs: clay, ceramic, concrete tiles, both one- and two-waved and also plain tiles. Length and width 523x400 mm. Seal for the upper side, a bracket to the bottom, 2x80 and 2x38 mm screws and the underlay seal are included.	Black	792102	
	Brown	792104	
	Green	792106	
	Grey	792107	
	Red	792108	
	Brick Red	792109	
VILPE® Concrete tile pass-through set The pass-through replaces one 2-wave roof concrete tile, up to tile width of 330 mm and wave height of 27-40 mm. Length of the whole pass-through is 440 mm. Fixing screws and a sealing for the underlay are included.	Black	74011	
	Brown	74013	
	Green	74019	
	Grey	74017	
	Red	74015	
	Brick Red	74021	
VILPE® XL concrete tile pass-through set Replaces two 2-wave roof concrete tiles, with tile width of 330 mm and wave height of 27-40 mm. Length 810 mm. Fixing screws and a sealing for the underlay are included.	Black	740102	
	Brown	740104	
	Green	740106	
	Grey	740107	
	Red	740108	
	Brick Red	740109	

for metal roofing

	colour	product code		
VILPE® STALOWE PRZEJŚCIE DACHOWE XL The new XL Universal pass-through set for profiled steel and tile roof is replacing the previous XL Steel pass-through. The XL Universal pass-through can be cut on site to fit perfectly to the roof in question.	Black	735502		
	Brown	735504		
	Green	735506		
	Grey	735507		
	Red	735508		
	Brick Red	735509		
VILPE® Profiled steel pass-through set The Profiled steel pass-through set is suitable for all round profiled roofing. The minimum length of a profiled roof tile in the metal sheet is 350 mm. Fixing screws, sealing compound and a sealing for the underlay are included.	Black	75172		
	Brown	75174		
	Green	75176		
	Grey	75177		
	Red	75178		
	Brick Red	75179		
VILPE® Steel pass-through set Can be fitted to a variety of metal roofs with the included watertight rubber seal. The rubber seal has an aluminium flange which can be moulded to fit the tile. Length 355 mm, width 460 mm. Fixing screws sealing compound and a sealing for underlay are included.	Black	73552		
	Brown	73554		
	Green	73558		
	Grey	73557		
	Red	73556		
	Brick Red	73559		
VILPE® Classic pass-through set Used on both standing seam and felt roofing. The Classic pass-through is designed to be installed after the roof itself has been completed. Length 328 mm, width 266 mm. Fixing screws and a sealing for the underlay are included. Sealing compound is required on felt roofs.	Black	732562		
	Brown	732564		
	Green	732566		
	Grey	732567		
	Red	732568		
	Brick Red	732569		
VILPE® SPT 60 pass-through FINNERA PLUS For Finnera Plus-roofing. Fixing screws, sealing compound and a sealing for the underlay are included. Length 357, width 247 mm.	Black	740762		
	Brown	740764		
	Grey	740767		
	Red	740768		
	Brick Red	740769		

PASS-THROUGH

for bitumen roofing

	colour	product code		
VILPE® HS Shingle/Slate pass-through set With VILPE® HS Shingle/Slate pass-through you can install VILPE® roof fans, exhaust ventilation pipes and other VILPE® products on the shingle and slate roofs. HS Shingle/Slate pass-through can be installed on steep roofs – up to 59°.	Black	741062		
	Brown	741064		
	Green	741066		
	Grey	741067		
	Red	741068		
	Brick Red	741069		
VILPE® Felt pass-through The felt pass through is installed between two felt layers. Also suitable for slate roof. Flange width 150 mm, width of the whole pass-through 488 mm, length 583 mm.	Black	74002		
	Brown	740034		
	Green	740036		
	Grey	740037		
	Red	740038		
	Brick Red	740039		
VILPE® Felt pass-through tall The felt pass-through is installed between two felt layers. Flange width 150 mm, stem height 200 mm. Designed for roofs with a pitch less than 1:5 (11.5 degrees).	Black	740752		
	Grey	740757		

for bitumen roofing

	colour	product code	
VILPE® XL Classic pass-through set Used on standing seam and felt roofing. The XL Classic pass-through is installed after the roof is completed. Length 550 mm, width 347 mm. Fixing screws and a sealing for the underlay are included. Sealing compound required on felt roofs.	Black	732542	
	Brown	732544	
	Green	732546	
	Grey	732547	
	Red	732548	
	Brick Red	732549	
VILPE® XL Felt Pass-through Installed between two felt layers. Also suitable for slate roof. Flange width 150 mm, length 800 mm, width 590 mm.	Black	740042	
	Brown	740044	
	Green	740046	
	Grey	740047	
	Red	740048	
	Brick Red	740049	



INSTALLATION RECOMMENDATIONS

AS REGARDS A KITCHEN EXTRACTOR WITH A VILPE® ROOF FAN

All VILPE® products are characterized by easy installation. Their excellent compatibility ensures tight and durable connection with the roofing material. However we recommend the system installation be performed by a qualified technician.

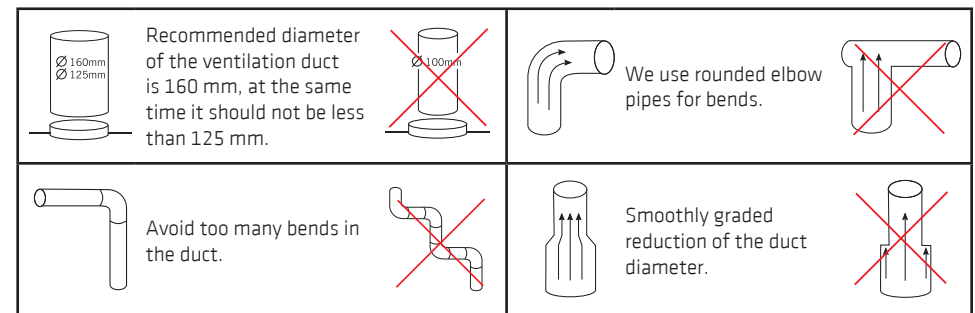
Installation of a VILPE® silent kitchen involves three stages:

1. Installation of the roof fan along with an appropriate installation set
2. Installation of the kitchen extractor hood
3. Connection of the electrical installation and ventilation ducts

Below are some important recommendations which, taken into consideration, will provide you with correct installation of the VILPE® silent kitchen system and full satisfaction of its operation:

- The kitchen should be equipped with two ventilation ducts; their patency is checked prior to installation.
- Kitchen extractor fan should be connected to a separate (individual) chimney duct which will allow for extraction of polluted air from the kitchen to the outside of the building.
- If in the kitchen there are devices that extract exhaust fumes to chimneys with gravity draught (e.g. boiler or gas heater with an open combustion chamber, fireplace, iron stove), a mechanical extractor (including the VILPE® silent kitchen system) should not be used. (The strength of extraction of the fan can reverse the gravity draught in the chimney and cause aspiration of exhaust fumes to the rooms).
- The ventilation duct should be tight throughout its entire length from the hood up to the place it is connected to the roof fan.
- Avoid too many duct bends. If there are any, we use rounded elbow pipes with the maximum angle of 45° by creating gentle curves. The shorter the duct connecting the extractor with the chimney and the fewer bends in it, the more efficient operation of the system.
- The best solution is to use a duct with a smooth inner surface (most commonly used are ducts made of PVC or steel).

- In case of masonry ducts or old ventilation installations, we recommend introducing a new ventilation duct inside the old one (e.g. made of PVC).
- Recommended diameter of the ventilation duct is 160/150 mm. The vertical should be of identical diameter throughout its entire length. In the event a reduction is necessary, we do it by gentle graduation, however the minimum allowable diameter is 125 mm.
- In the event the ventilation duct passes through an unheated part of the building, execution of thermal insulation that prevents condensation of water vapour in the duct is recommended.
- The recommended electric cable to connect the fan with the hood is the cable of 3x1.5 mm.
- In case of an island hood, connection to the ventilation and electrical installation must be brought out directly above the hood.
- Please get acquainted with the installation instructions of the kitchen extractor hood, roof fan and the installation set. Adherence to the recommendations of the instruction manual ensures proper operation and draught in the ventilation ducts thanks to which the system will be working quietly and efficiently.



Above-mentioned recommendations relate to general principles of installation having regard to safety and maximum user comfort. In special cases there are exceptions and conditions permitting customized solutions – each of them should be considered individually based on the knowledge and experience of the specialist.



Pietrzykowice
ul. Fabryczna 20D
55-080 Kąty Wrocławskie
Tel.: +48/71 740 26 23
Fax: +48/71 799 40 40

biuro@vilpepoland.pl
VILPE.COM/PL
CICHAKUCHNIA.COM

YOUR DISTRIBUTOR: