

CATALOGUE OF MOTORLESS COOKER HOODS FOR THE SYSTEM

VILPE® SILENT KITCHEN
Innovative and Easy



SILENT KITCHEN VILPE® IS A SCANDINAVIAN VENTILATION SYSTEM – COOKER HOOD
COMBINED WITH ROOF FAN

CONTENTS

I. INTRODUCTION

A really silent cooker hood	2
Advantages of the VILPE® silent kitchen	3

II. OFFER HOODS

Wall hoods

GALEA	4
BARCA	6
PIANO	8
QUADRO	10
ONDA	12
SCALA	14
ARCO GLASS	16
VULCANO	18
PUNTO	20
CUBO/CUBO MAXI	22
AQUA	24
SIMPLE	26
CH-4509-S SAVO	28
CH-5509-S SAVO	30
COUNTRY	32
COUNTRY CORNER	34

Island hoods

ATOLL	36
FIDŽI	38
PICO	40
JAWA	42
JAWA COLOR	44

Island hoods

CORSICA/CORSICA MAXI	46
CEJLON	48
IH-4509-S SAVO	50
TONGA	52
MADURA	54

Cabinet hoods

SPRINT/SPRINT GLASS	56
OMEGA	58
DELTA	60

Ceiling mounted hoods

VENUS	62
STELLA INOX/STELLA GLASS	64
JUPITER	66
Cooker hoods for the catering industry	68

III. VILPE® ROOF FAN

Description of the fan roof VILPE®	69
Selection of the roof fan for the kitchen cooker hood	69
Construction of the fan	69

IV. ROOF FANS

P type models to be mounted on the roof	70
S type models to be mounted in the ventilation chimney	71

V. PASS-THROUGH

For tile roofing	71
For metal roofing	72
For bitumen roofing	73
Accessories	74

VI. RECOMMENDATIONS

Installation recommendations	75
------------------------------------	----

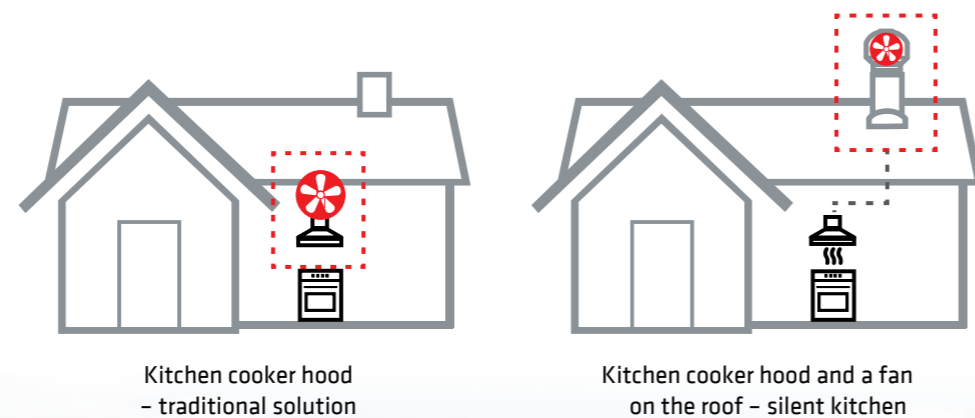
A REALLY SILENT COOKER HOOD

IS THE COOKER HOOD IN THE VILPE® SILENT KITCHEN

A KITCHEN COOKER HOOD WITHOUT A BUILT-IN MOTOR AND CONNECTED TO A VILPE® ROOF FAN IS A PERFECTLY SILENT KITCHEN.

In this customized solution the function of a traditional motor working in the cooker hood right over our head is taken over by the motor installed in the roof fan. This system, in addition to its high efficiency, allows for the complete minimization of noise resulting from the work of a traditional cooker hood. Therefore it fully deserves its name.

Even the most silent and modern kitchen cooker hoods are not able to provide us with such comfort as the connection of the VILPE® fan to the motorless cooker hood. Silent operation is not the only advantage of this solution. Another one is its efficiency. Thanks to the underpressure created all the way through the ventilation duct, the strength of extraction of the contaminated air is much greater here than in traditional hoods.



Kitchen cooker hood
- traditional solution

Kitchen cooker hood and a fan
on the roof - silent kitchen

ADVANTAGES OF THE VILPE® SILENT KITCHEN

- Unique solution ensuring noiseless hood operation
- Cooker with exceptional efficiency thanks to the high performance of the roof fan
- A system that is easy and simple in installation, also to be used for modernization of a traditional ventilation solution
- Convenient control of the fan operation (a compatible combination of a fan on the roof with a motorless cooker hood offered in the Silent Kitchen system)
- Solution available for every type of roofing material and for every diameter of the ventilation duct, also for a brick duct
- Guaranteed 100% watertightness and durability of the system thanks to the highest quality products to be installed on the roof

3 COMPONENTS OF THE VILPE® SILENT KITCHEN

Each Silent Kitchen set consists of 3 components:



MOTORLESS COOKER HOOD



ROOF FAN



PASS-THROUGH

MOTORLESS HOODS

The range of hoods we have chosen for the SILENT KITCHEN system offers all types of models - cabinet, wall, ceiling and island. There are both the examples of the latest trends, as also retro models and classic models. The form and materials of our cooker hoods are the reflection of careful design, and we have tested the safety of electrical connections and compatibility with the VILPE® fans for every situation.



GALEA



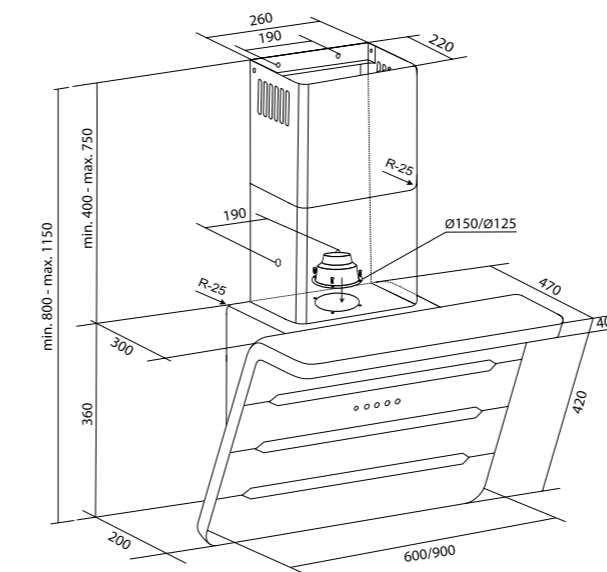
Control:	electronic
Speed rates:	4
LED lighting:	2x2 W 1x4 W
Dimensions:	600/900 mm
Finish:	toughened glass + lacquer
A winter start-up function:	a practical function activated after the cooker hood is turned on, for 20 seconds from the start the fan is working at a maximum speed
Timer:	9 min
Remote control:	remote control unit



Recommended models of roof fans:

VILPE® E220	max. capacity of approx. 720 m ³ /h*
VILPE® E190 ECo	max. capacity of approx. 650 m ³ /h*
VILPE® E220 ECo	max. capacity of approx. 900 m ³ /h*

* indicative capacities for the highest motor operation speed (for the pressure drop by 50 Pa which corresponds to the length of the ventilation duct between the hood and the fan on the roof of approx. 5 running meters)



Available Colours:
 Black glass
 White glass



BARCA



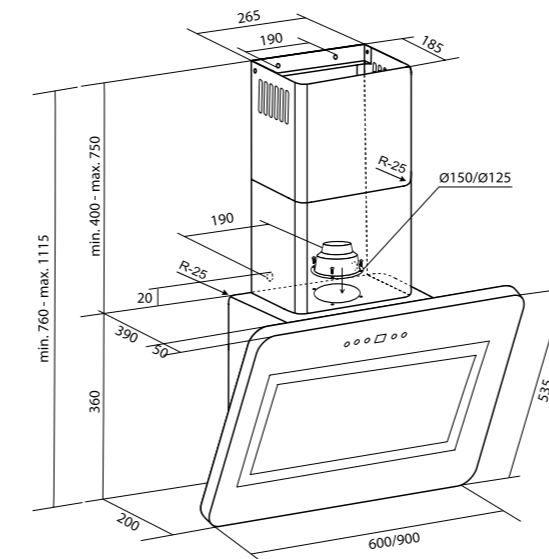
Control:	electronic, touch display
Speed rates:	4
LED lighting:	2x2 W
Dimensions:	600/900 mm
Finish:	toughened glass + lacquer
A winter start-up function:	a practical function activated after the cooker hood is turned on, for 20 seconds from the start the fan is working at a maximum speed
Timer:	9 min
Remote control:	remote control unit



Recommended models of roof fans:

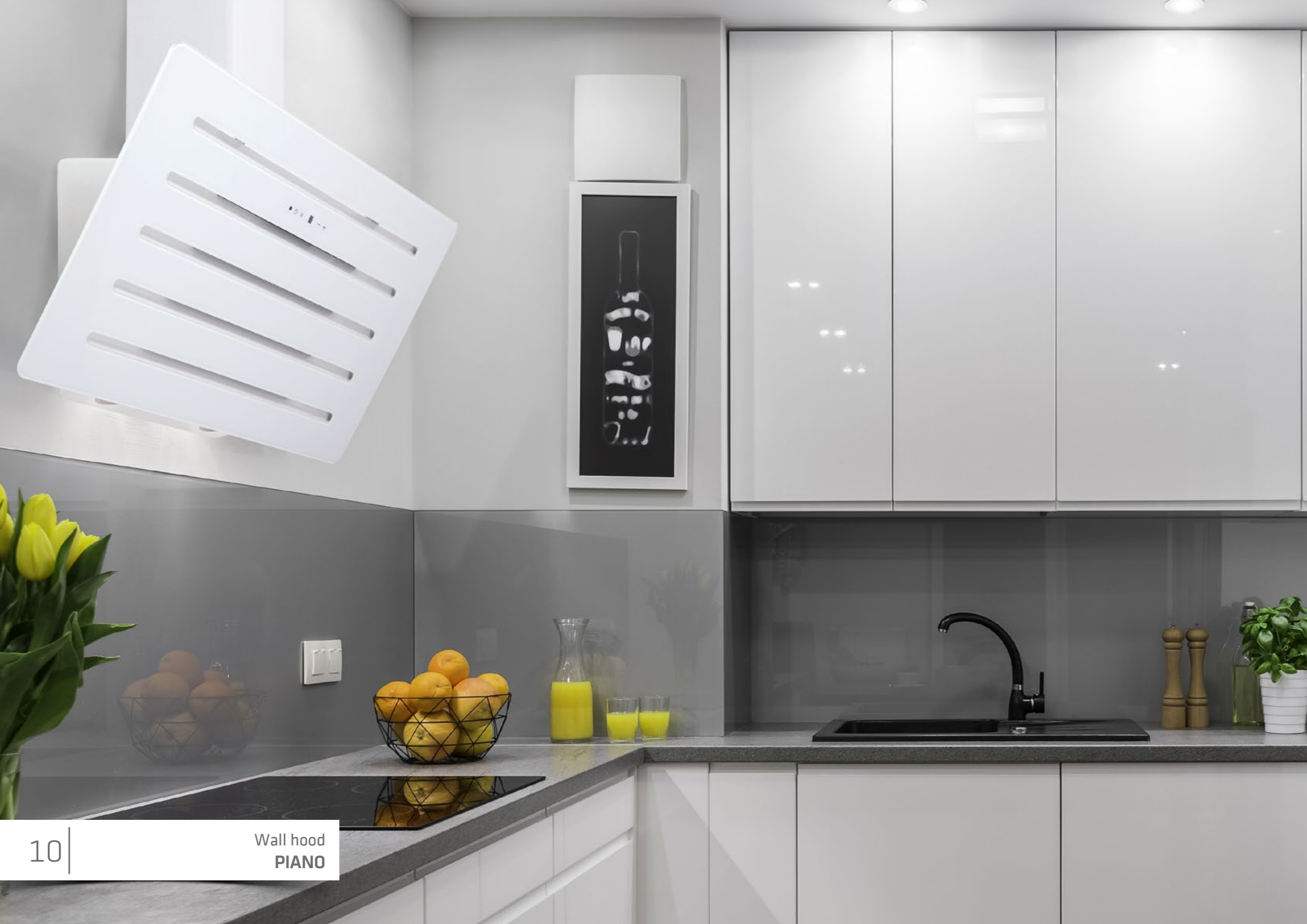
VILPE® E220	max. capacity of approx. 720 m ³ /h*
VILPE® E190 ECo	max. capacity of approx. 650 m ³ /h*
VILPE® E220 ECo	max. capacity of approx. 900 m ³ /h*

* indicative capacities for the highest motor operation speed (for the pressure drop by 50 Pa which corresponds to the length of the ventilation duct between the hood and the fan on the roof of approx. 5 running meters)



Available Colours:





PIANO

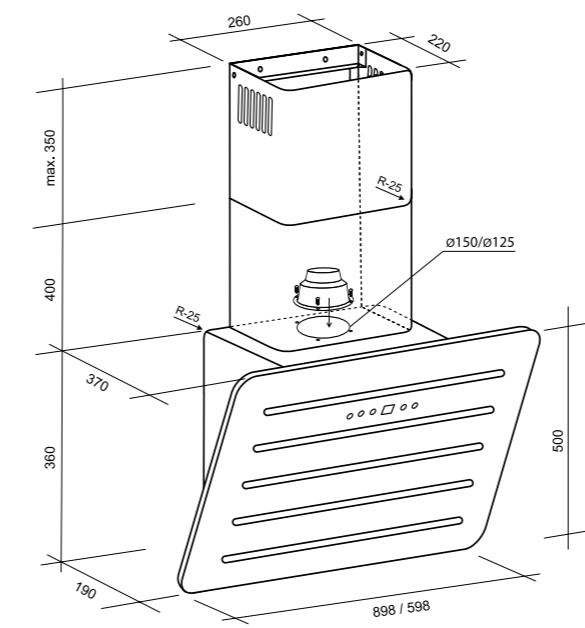
Control:	electronic, touch display
Speed rates:	4
LED lighting:	2x2 W
Dimensions:	600/900 mm
Finish:	toughened glass + lacquer
A winter start-up function:	a practical function activated after the cooker hood is turned on, for 20 seconds from the start the fan is working at a maximum speed
Timer:	9 min
Remote control:	remote control unit



Recommended models of roof fans:

VILPE® E220	max. capacity of approx. 720 m ³ /h*
VILPE® E190 ECo	max. capacity of approx. 650 m ³ /h*
VILPE® E220 ECo	max. capacity of approx. 900 m ³ /h*

* indicative capacities for the highest motor operation speed (for the pressure drop by 50 Pa which corresponds to the length of the ventilation duct between the hood and the fan on the roof of approx. 5 running meters)



Available Colours:  
Black glass White glass



QUADRO



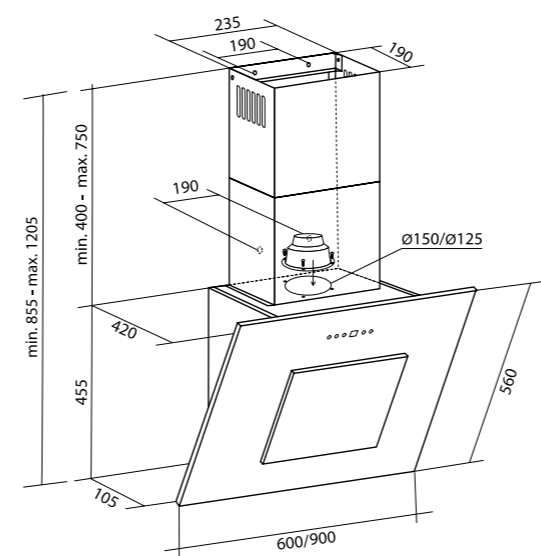
Control:	electronic, touch display
Speed rates:	6
LED lighting:	2x2 W
Dimensions:	600/800/900 mm
Finish:	toughened glass + lacquer
A winter start-up function:	a practical function activated after the cooker hood is turned on, for 20 seconds from the start the fan is working at a maximum speed
Timer:	20 min



Recommended models of roof fans:

VILPE® E220	max. capacity of approx. 720 m³/h*
VILPE® E190 ECo	max. capacity of approx. 650 m³/h*
VILPE® E220 ECo	max. capacity of approx. 900 m³/h*

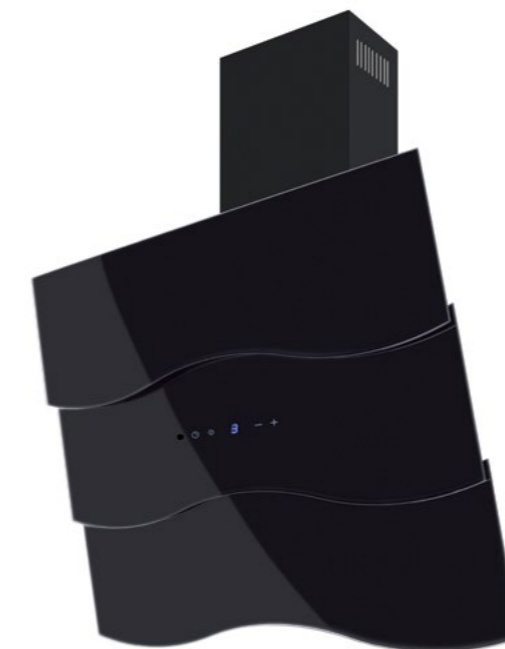
* indicative capacities for the highest motor operation speed (for the pressure drop by 50 Pa which corresponds to the length of the ventilation duct between the hood and the fan on the roof of approx. 5 running meters)



Available Colours:

Black glass

White glass



ONDA

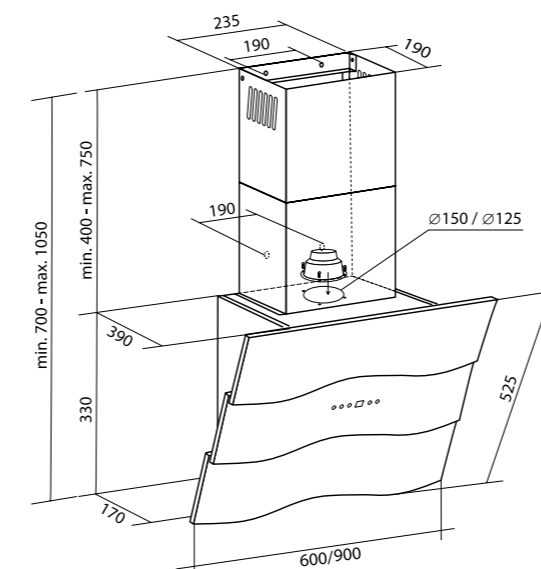
Control:	electronic, touch display
Speed rates:	4
LED lighting:	2x2 W
Dimensions:	600/800/900 mm
Finish:	toughened glass + lacquer
A winter start-up function:	a practical function activated after the cooker hood is turned on, for 20 seconds from the start the fan is working at a maximum speed
Timer:	9 min
Remote control:	remote control unit



Recommended models of roof fans:

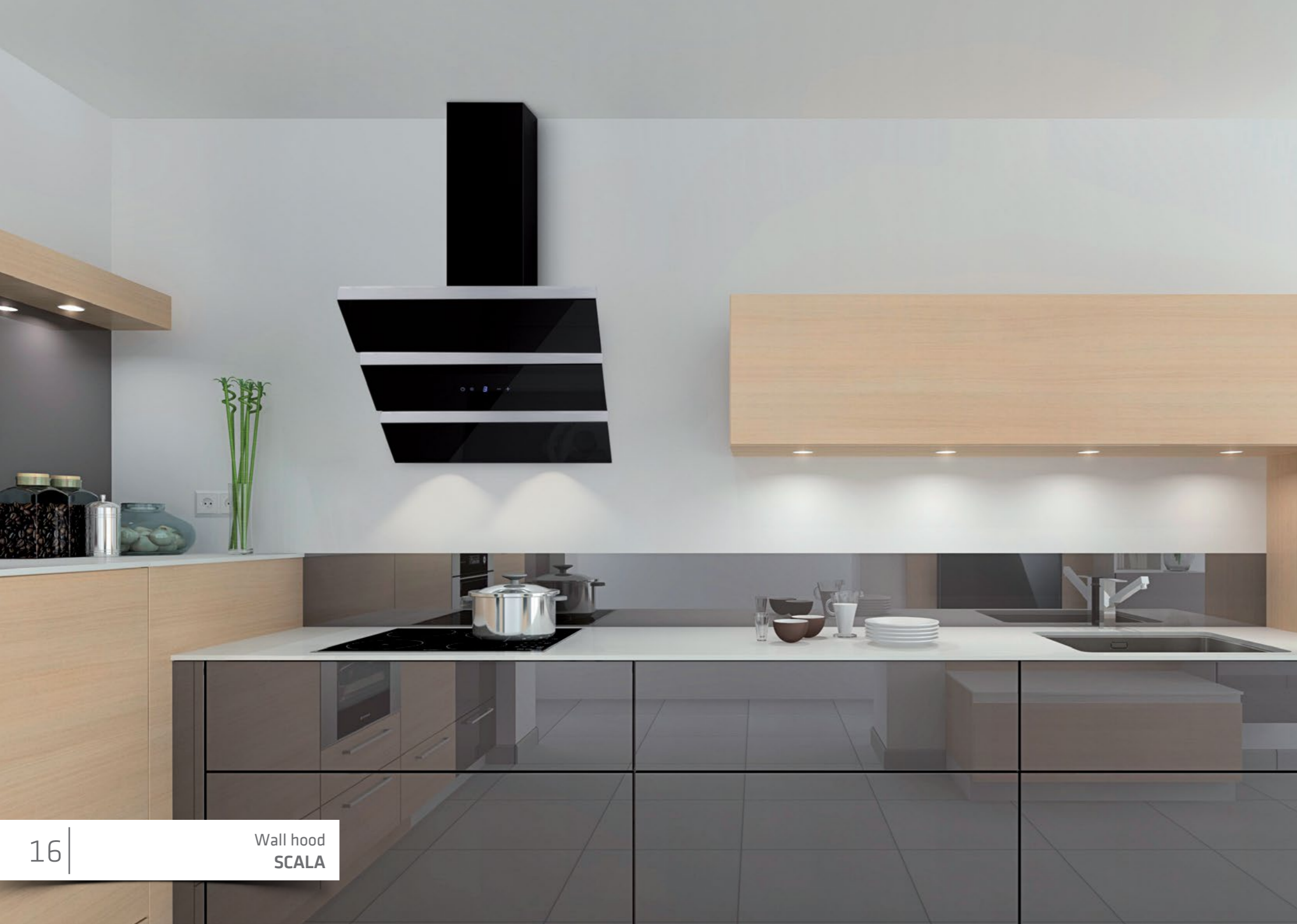
VILPE® E220	max. capacity of approx. 720 m ³ /h*
VILPE® E190 Eco	max. capacity of approx. 650 m ³ /h*
VILPE® E220 Eco	max. capacity of approx. 900 m ³ /h*

* indicative capacities for the highest motor operation speed (for the pressure drop by 50 Pa which corresponds to the length of the ventilation duct between the hood and the fan on the roof of approx. 5 running meters)



Available Colours:

 Black glass



SCALA

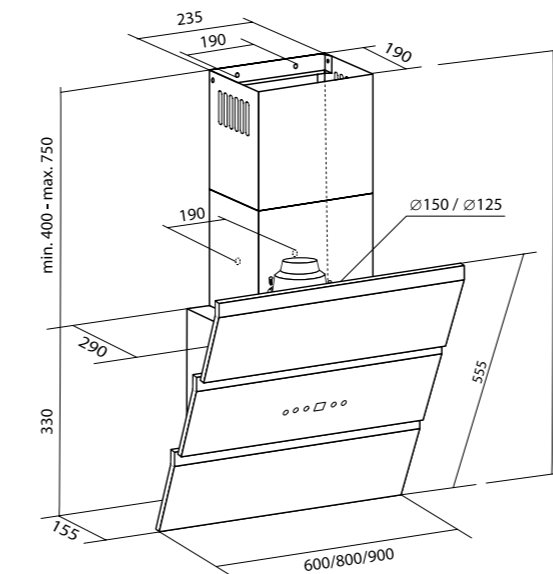
Control:	electronic, touch display
Speed rates:	4
LED lighting:	2x2 W
Dimensions:	600/800/900 mm
Finish:	toughened glass
A winter start-up function:	a practical function activated after the cooker hood is turned on, for 20 seconds from the start the fan is working at a maximum speed
Timer:	9 min
Remote control:	remote control unit



Recommended models of roof fans:

VILPE® E220	max. capacity of approx. 720 m ³ /h*
VILPE® E190 Eco	max. capacity of approx. 650 m ³ /h*
VILPE® E220 Eco	max. capacity of approx. 900 m ³ /h*

* indicative capacities for the highest motor operation speed (for the pressure drop by 50 Pa which corresponds to the length of the ventilation duct between the hood and the fan on the roof of approx. 5 running meters)



Available Colours:





ARCO GLASS



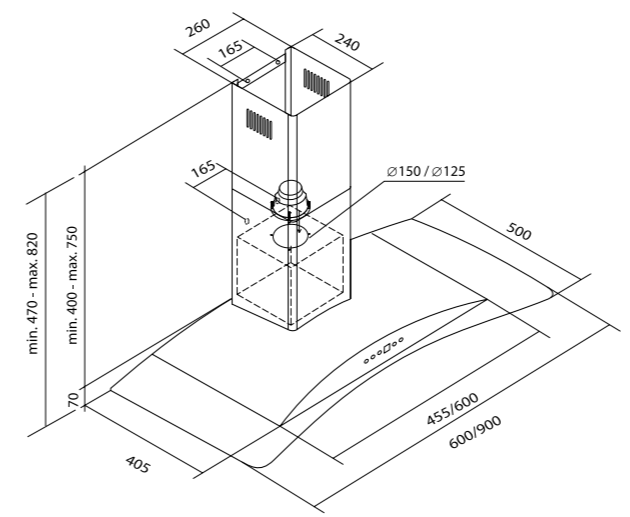
Control:	electronic, touch display
Speed rates:	4
LED lighting:	2x2 W
Dimensions:	600/900 mm
Finish:	inox satin + toughened glass
A winter start-up function:	a practical function activated after the cooker hood is turned on, for 20 seconds from the start the fan is working at a maximum speed
Timer:	9 min
Remote control:	remote control unit



Recommended models of roof fans:

VILPE® E220	max. capacity of approx. 720 m ³ /h*
VILPE® E190 ECo	max. capacity of approx. 650 m ³ /h*
VILPE® E220 ECo	max. capacity of approx. 900 m ³ /h*

* indicative capacities for the highest motor operation speed (for the pressure drop by 50 Pa which corresponds to the length of the ventilation duct between the hood and the fan on the roof of approx. 5 running meters)



Available Colours:

 Black panel



VULCANO

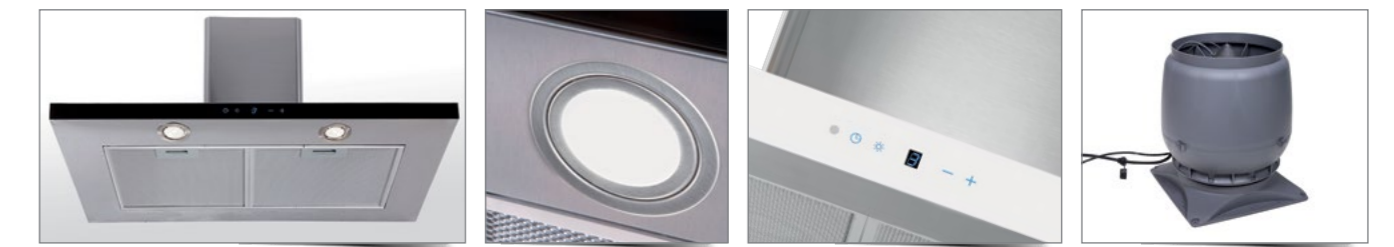
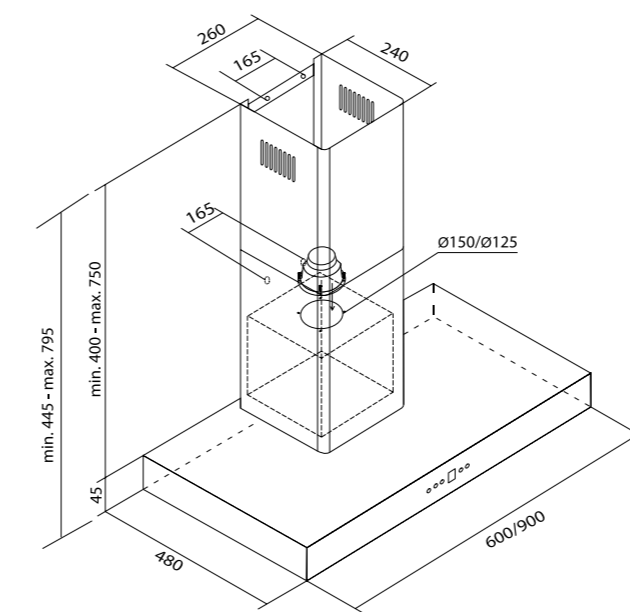
Control:	electronic, touch display
Speed rates:	4
LED lighting:	2x2 W
Dimensions:	600/900 mm
Finish:	inox + toughened glass
A winter start-up function:	a practical function activated after the cooker hood is turned on, for 20 seconds from the start the fan is working at a maximum speed
Timer:	9 min
Remote control:	remote control unit



Recommended models of roof fans:

VILPE® E220	max. capacity of approx. 720 m ³ /h*
VILPE® E190 ECo	max. capacity of approx. 650 m ³ /h*
VILPE® E220 ECo	max. capacity of approx. 900 m ³ /h*

* indicative capacities for the highest motor operation speed (for the pressure drop by 50 Pa which corresponds to the length of the ventilation duct between the hood and the fan on the roof of approx. 5 running meters)

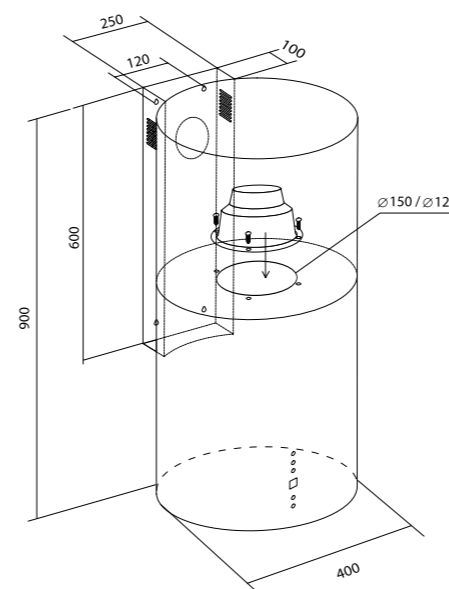


Available Colours:  
Black panel White panel



PUNTO

Control:	electronic display + push button
Speed rates:	4
LED lighting:	2x2 W
Dimensions:	ø 400 mm
Finish:	lacquer/inox satin
A winter start-up function:	a practical function activated after the cooker hood is turned on, for 20 seconds from the start the fan is working at a maximum speed
Timer:	9 min
Remote control:	remote control unit



Recommended models of roof fans:

VILPE® E220	max. capacity of approx. 720 m ³ /h*
VILPE® E190 ECo	max. capacity of approx. 650 m ³ /h*
VILPE® E220 ECo	max. capacity of approx. 900 m ³ /h*

* indicative capacities for the highest motor operation speed (for the pressure drop by 50 Pa which corresponds to the length of the ventilation duct between the hood and the fan on the roof of approx. 5 running meters)



Available Colours:





CUBO CUBO MAXI

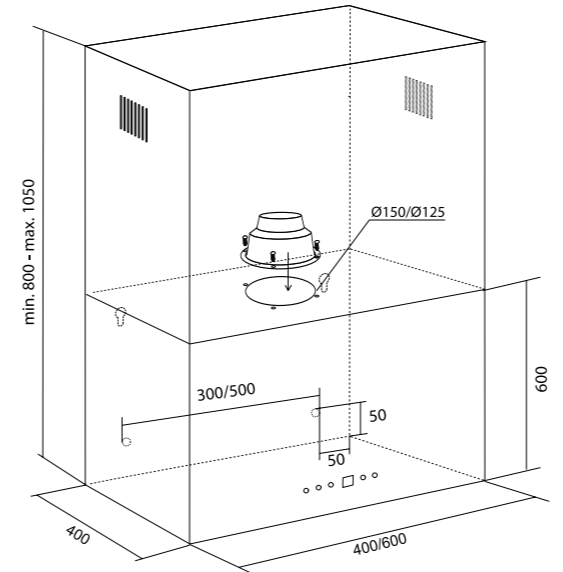
Control:	electronic display + push button
Speed rates:	4
LED lighting:	2x2 W
Dimensions:	400x400 mm 400x600 mm
Finish:	lacquer/inox satin
A winter start-up function:	a practical function activated after the cooker hood is turned on, for 20 seconds from the start the fan is working at a maximum speed
Timer:	9 min
Remote control:	remote control unit



Recommended models of roof fans:

VILPE® E220	max. capacity of approx. 720 m ³ /h*
VILPE® E190 ECo	max. capacity of approx. 650 m ³ /h*
VILPE® E220 ECo	max. capacity of approx. 900 m ³ /h*

* indicative capacities for the highest motor operation speed (for the pressure drop by 50 Pa which corresponds to the length of the ventilation duct between the hood and the fan on the roof of approx. 5 running meters)





AQUA

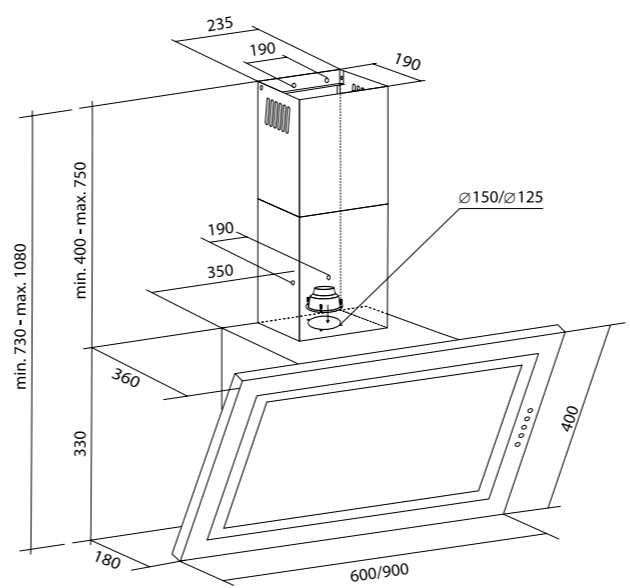
Control:	push button
Speed rates:	3
LED lighting:	2x2 W
Dimensions:	600/900 mm
Finish:	toughened glass + lacquer



Recommended models of roof fans:

VILPE® E220	max. capacity of approx. 720 m³/h*
VILPE® E190 ECo	max. capacity of approx. 650 m³/h*
VILPE® E220 ECo	max. capacity of approx. 900 m³/h*

* indicative capacities for the highest motor operation speed (for the pressure drop by 50 Pa which corresponds to the length of the ventilation duct between the hood and the fan on the roof of approx. 5 running meters)



Available Colours:  
Black White



SIMPLE



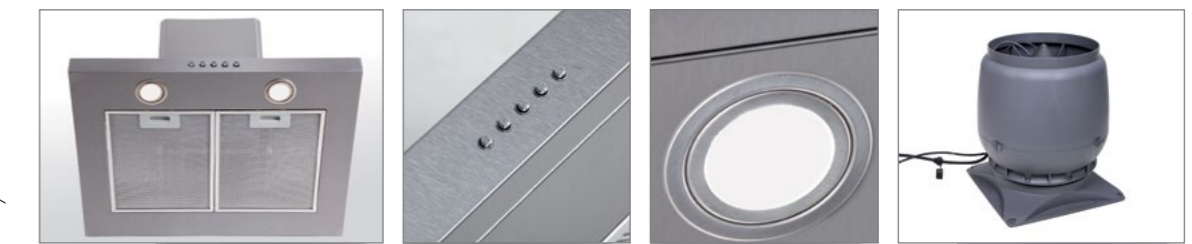
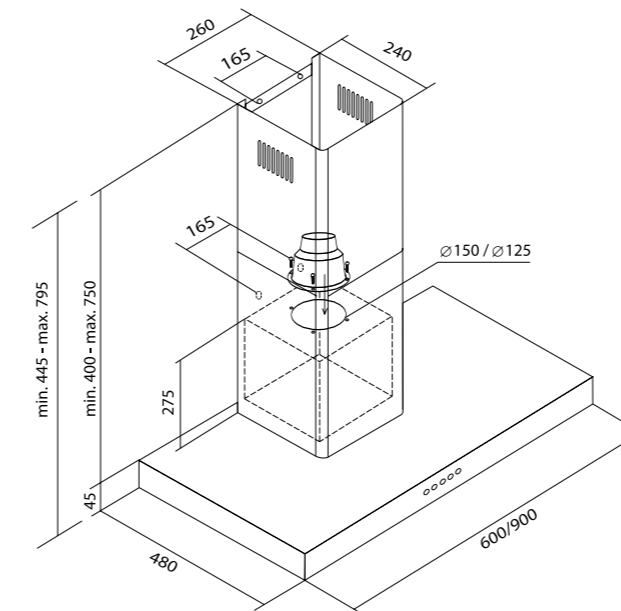
Control:	push button
Speed rates:	3
LED lighting:	2x2 W
Dimensions:	600/900 mm
Finish:	inox



Recommended models of roof fans:

VILPE® E220	max. capacity of approx. 720 m ³ /h*
VILPE® E190 ECo	max. capacity of approx. 650 m ³ /h*
VILPE® E220 ECo	max. capacity of approx. 900 m ³ /h*

* indicative capacities for the highest motor operation speed (for the pressure drop by 50 Pa which corresponds to the length of the ventilation duct between the hood and the fan on the roof of approx. 5 running meters)



Available Colours:

 Inox satin



CH-4509-S SAVO

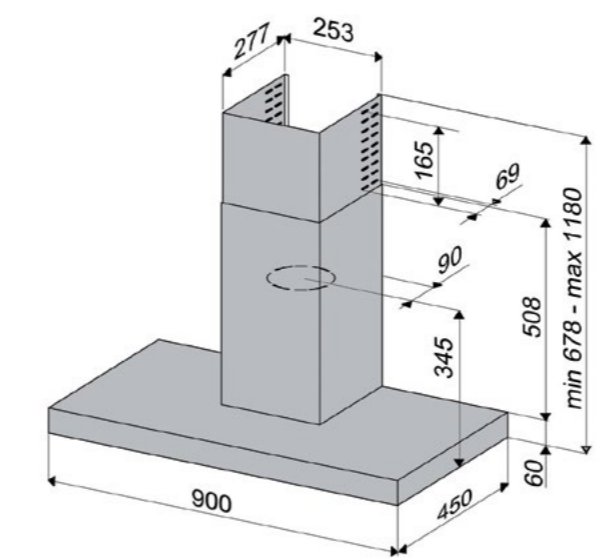
Control:	push button
Speed rates:	3
LED lighting:	2x2,5 W
Dimensions:	900 mm
Finish:	inox




Recommended models of roof fans:

VILPE® E220	max. capacity of approx. 720 m³/h*
VILPE® E220 ECo	max. capacity of approx. 900 m³/h*

* indicative capacities for the highest motor operation speed (for the pressure drop by 50 Pa which corresponds to the length of the ventilation duct between the hood and the fan on the roof of approx. 5 running meters)

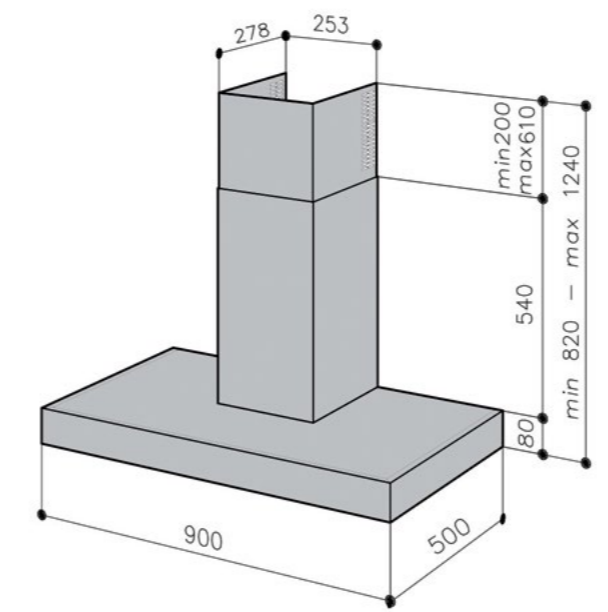


Dostępne kolory: 
Inox



CH-5509-S SAVO

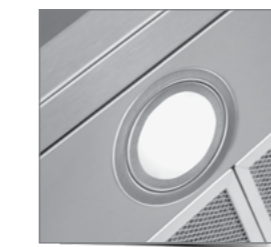
Control:	electronic display + push button
Speed rates:	4
LED lighting:	2x2,5 W
Dimensions:	900 mm
Finish:	inox
A winter start-up function:	a practical function activated after the cooker hood is turned on, for 20 seconds from the start the fan is working at a maximum speed
Timer:	9 min
Remote control:	remote control unit



Recommended models of roof fans:

VILPE® E220	max. capacity of approx. 720 m ³ /h*
VILPE® E220 ECo	max. capacity of approx. 900 m ³ /h*

* indicative capacities for the highest motor operation speed (for the pressure drop by 50 Pa which corresponds to the length of the ventilation duct between the hood and the fan on the roof of approx. 5 running meters)



Available Colours: 
Inox



COUNTRY



Control:	push button
Speed rates:	3
LED lighting:	2x2 W
Dimensions:	600/900 mm
Finish:	lacquer + wood

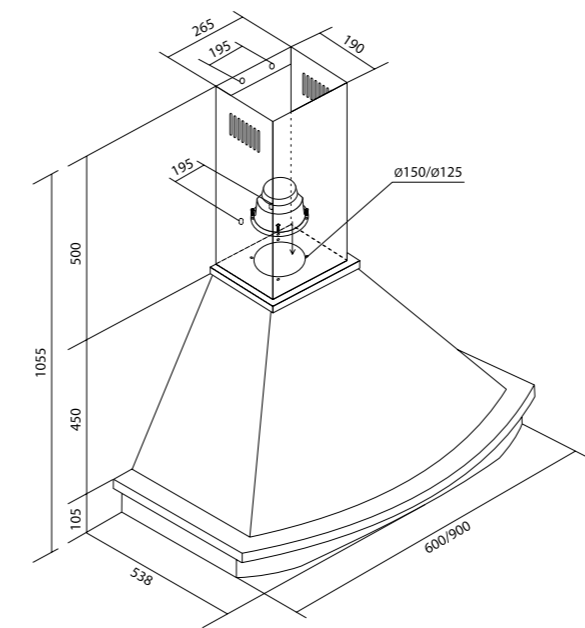
Cooker hood available with the wooden panels in a natural beech like colour, panels are not stained nor varnished. Photos show the examples of the panel varnish.



Recommended models of roof fans:

- VILPE® E220** max. capacity of approx. 720 m³/h*
- VILPE® E190 ECo** max. capacity of approx. 650 m³/h*
- VILPE® E220 ECo** max. capacity of approx. 900 m³/h*

* indicative capacities for the highest motor operation speed (for the pressure drop by 50 Pa which corresponds to the length of the ventilation duct between the hood and the fan on the roof of approx. 5 running meters)



Available Colours: Écru



COUNTRY CORNER



Control:	push button
Speed rates:	3
LED lighting:	4x2 W
Dimensions:	900/900 mm
Finish:	lacquer + wood

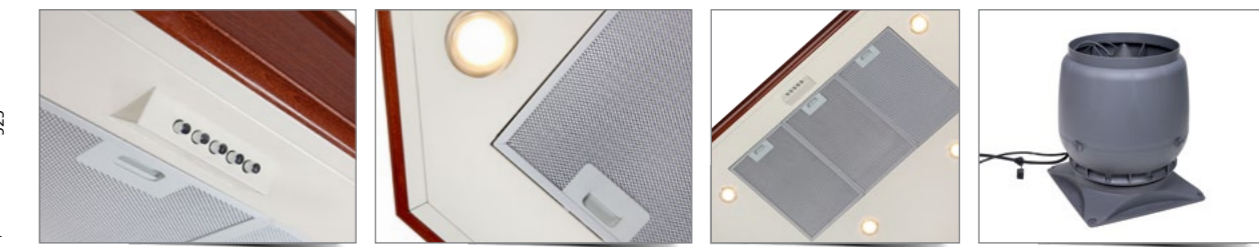
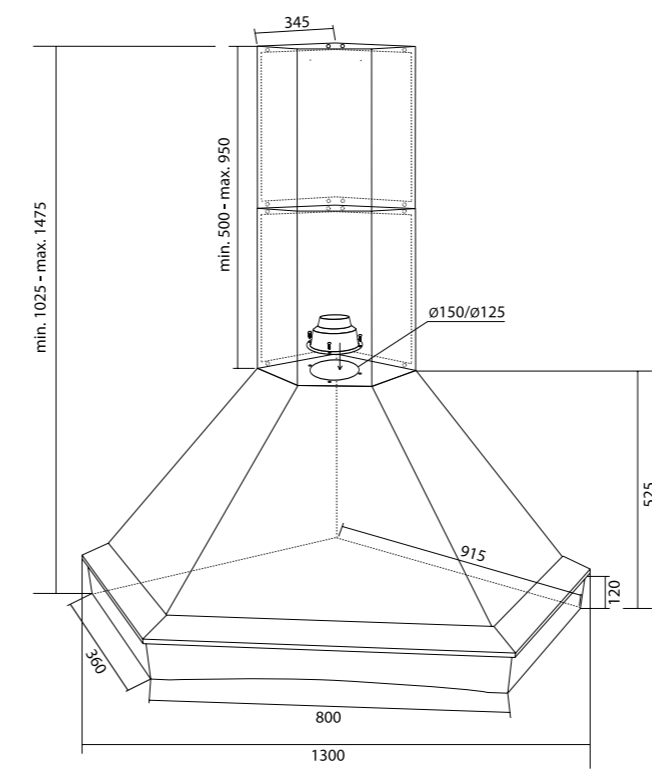
Cooker hood available with the wooden panels in a natural beech like colour, panels are not stained nor varnished. Photos show the examples of the panel varnish.




Recommended models of roof fans:

VILPE® E220	max. capacity of approx. 720 m ³ /h*
VILPE® E190 ECo	max. capacity of approx. 650 m ³ /h*
VILPE® E220 ECo	max. capacity of approx. 900 m ³ /h*

* indicative capacities for the highest motor operation speed (for the pressure drop by 50 Pa which corresponds to the length of the ventilation duct between the hood and the fan on the roof of approx. 5 running meters)



Dostępne kolory:

 Écru



ATOLL



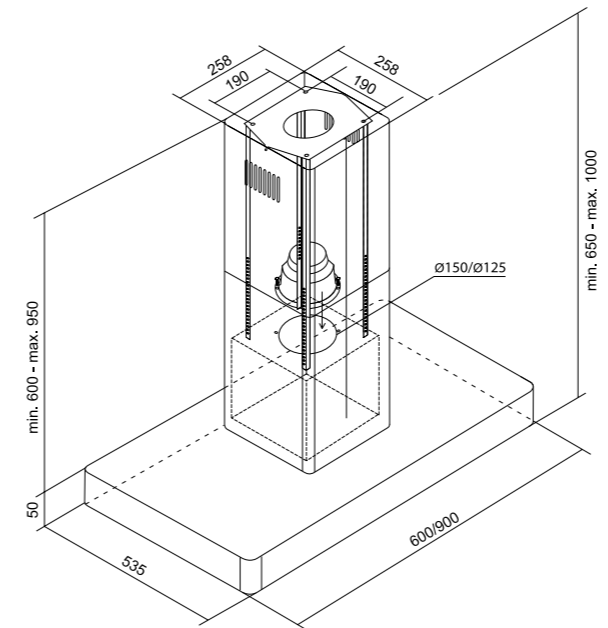
Control:	electronic, touch display
Speed rates:	4
LED lighting:	2x4 W
Dimensions:	600/900 mm
Finish:	toughened glass + lacquer
A winter start-up function:	a practical function activated after the cooker hood is turned on, for 20 seconds from the start the fan is working at a maximum speed
Timer:	9 min
Remote control:	remote control unit



Recommended models of roof fans:

VILPE® E220	max. capacity of approx. 720 m³/h*
VILPE® E220 ECo	max. capacity of approx. 900 m³/h*

* indicative capacities for the highest motor operation speed (for the pressure drop by 50 Pa which corresponds to the length of the ventilation duct between the hood and the fan on the roof of approx. 5 running meters)



Available Colours:  
Black glass White glass



FIDŽI

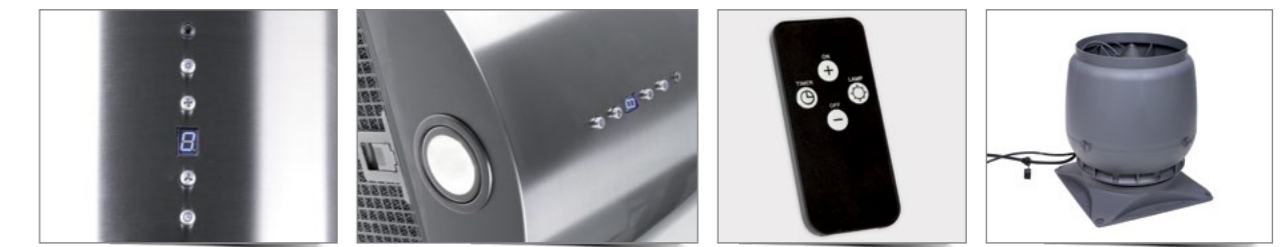
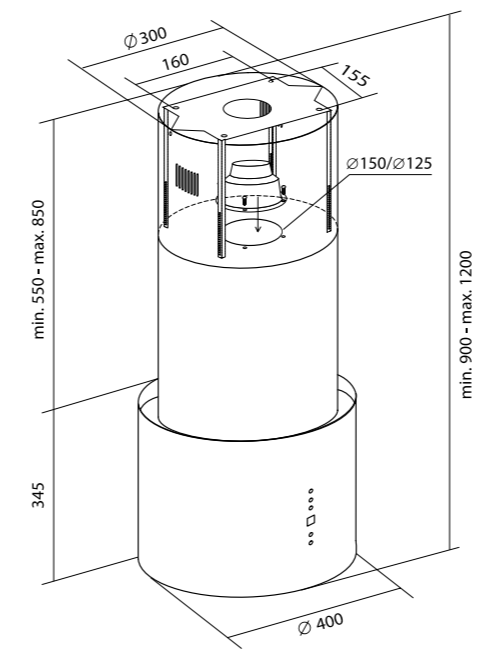
Control:	electronic display + push button
Speed rates:	4
LED lighting:	2x2 W
Dimensions:	ø 400 mm
Finish:	lacquer
A winter start-up function:	a practical function activated after the cooker hood is turned on, for 20 seconds from the start the fan is working at a maximum speed
Timer:	9 min
Remote control:	remote control unit



Recommended models of roof fans:

- VILPE® E220** max. capacity of approx. 720 m³/h*
- VILPE® E220 Eco** max. capacity of approx. 900 m³/h*

* indicative capacities for the highest motor operation speed (for the pressure drop by 50 Pa which corresponds to the length of the ventilation duct between the hood and the fan on the roof of approx. 5 running meters)





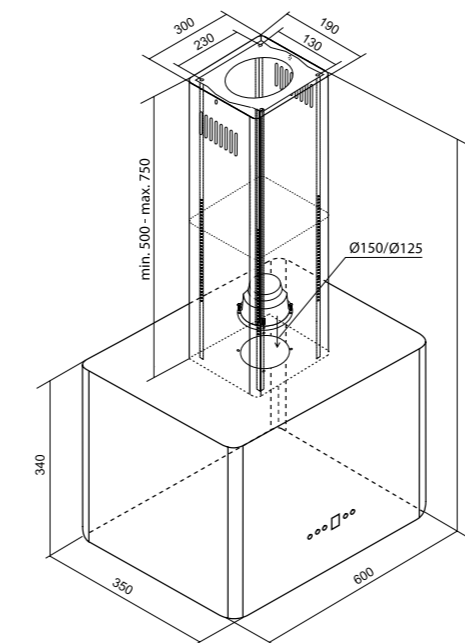
PICO

Control:	electronic display + push button
Speed rates:	4
LED lighting:	4x2 W
Dimensions:	355x600 mm
Finish:	lacquer

A winter start-up function: a practical function activated after the cooker hood is turned on, for 20 seconds from the start the fan is working at a maximum speed

Timer: 9 min

Remote control: remote control unit



Recommended models of roof fans:

VILPE® E220 max. capacity of approx. 720 m³/h*

VILPE® E220 Eco max. capacity of approx. 900 m³/h*

* indicative capacities for the highest motor operation speed (for the pressure drop by 50 Pa which corresponds to the length of the ventilation duct between the hood and the fan on the roof of approx. 5 running meters)



Available Colours:



Black



White



JAWA

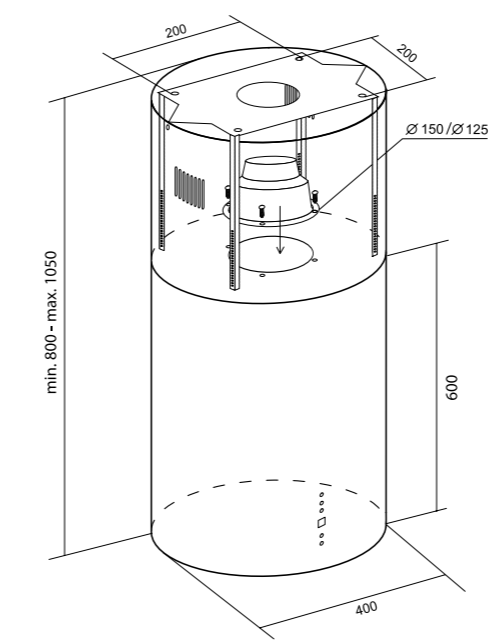
Control:	electronic display + push button
Speed rates:	4
LED lighting:	2x2 W
Dimensions:	ø 400 mm
Finish:	lacquer/Inox satin
A winter start-up function:	a practical function activated after the cooker hood is turned on, for 20 seconds from the start the fan is working at a maximum speed
Timer:	9 min
Remote control:	remote control unit



Recommended models of roof fans:

- VILPE® E220** max. capacity of approx. 720 m³/h*
- VILPE® E220 ECo** max. capacity of approx. 900 m³/h*

* indicative capacities for the highest motor operation speed (for the pressure drop by 50 Pa which corresponds to the length of the ventilation duct between the hood and the fan on the roof of approx. 5 running meters)



- Available Colours:
- Black
 - White
 - Inox satin



JAWA COLOR

Control:	electronic display + push button
Speed rates:	4
LED lighting:	2x2 W
Dimensions:	ø 400 mm
Finish:	lacquer

A winter start-up function: a practical function activated after the cooker hood is turned on, for 20 seconds from the start the fan is working at a maximum speed

Timer: **9 min**

Remote control: **remote control unit**

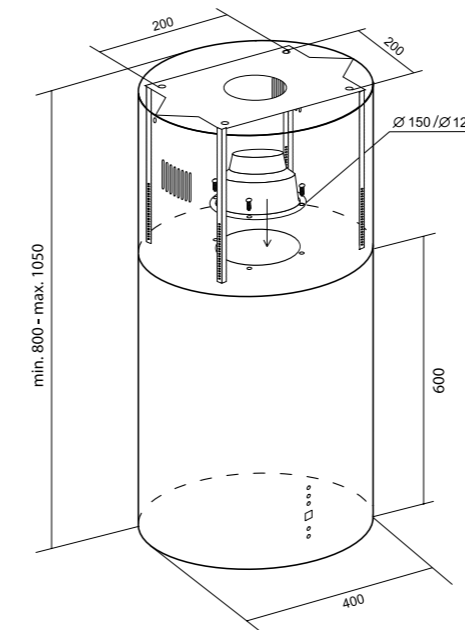


Recommended models of roof fans:

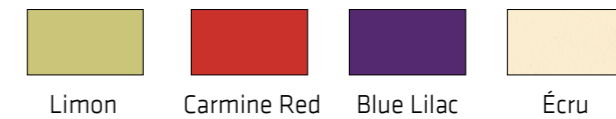
VILPE® E220 max. capacity of approx. 720 m³/h*

VILPE® E220 ECo max. capacity of approx. 900 m³/h*

* indicative capacities for the highest motor operation speed (for the pressure drop by 50 Pa which corresponds to the length of the ventilation duct between the hood and the fan on the roof of approx. 5 running meters)



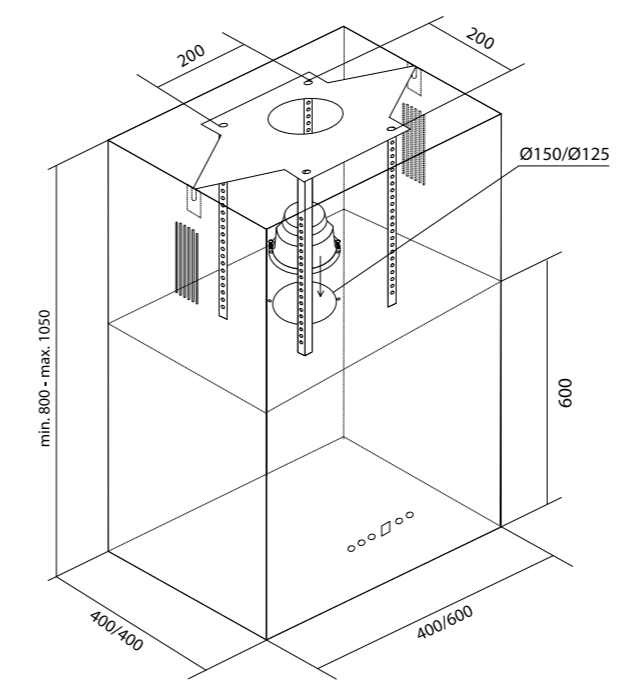
Available Colours:





CORSICA CORSICA MAXI

Control:	electronic display + push button
Speed rates:	4
LED lighting:	4x2 W
Dimensions:	400x400 mm 400x600 mm
Finish:	lacquer/inox satin
A winter start-up function:	a practical function activated after the cooker hood is turned on, for 20 seconds from the start the fan is working at a maximum speed
Timer:	9 min
Remote control:	remote control unit



Recommended models of roof fans:

- VILPE® E220** max. capacity of approx. 720 m³/h*
- VILPE® E220 ECo** max. capacity of approx. 900 m³/h*

* indicative capacities for the highest motor operation speed (for the pressure drop by 50 Pa which corresponds to the length of the ventilation duct between the hood and the fan on the roof of approx. 5 running meters)





CEJLON

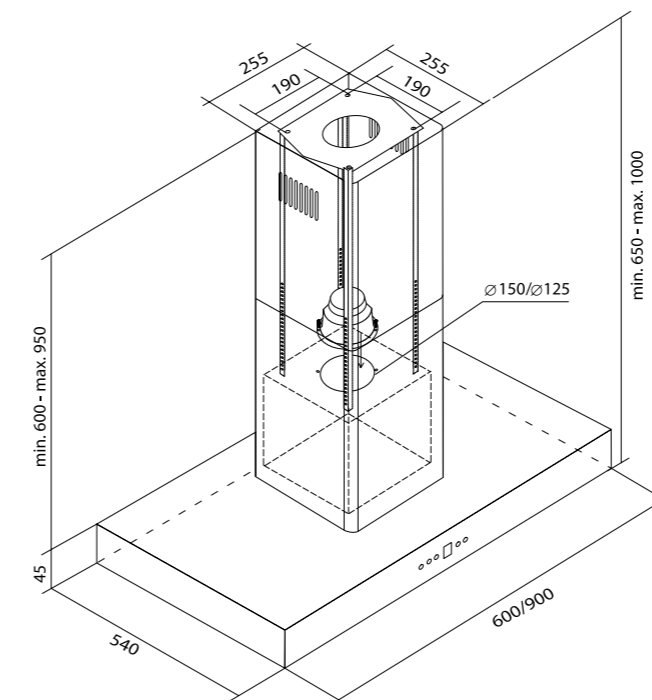


Control:	electronic, touch display
Speed rates:	4
LED lighting:	4x2 W
Dimensions:	600/900 mm
Finish:	toughened glass + inox satin

A winter start-up function: a practical function activated after the cooker hood is turned on, for 20 seconds from the start the fan is working at a maximum speed

Timer: **9 min**

Remote control: **remote control unit**



Available Colours:



Black panel White panel



Recommended models of roof fans:

VILPE® E220 max. capacity of approx. 720 m³/h*

VILPE® E220 Eco max. capacity of approx. 900 m³/h*

* indicative capacities for the highest motor operation speed (for the pressure drop by 50 Pa which corresponds to the length of the ventilation duct between the hood and the fan on the roof of approx. 5 running meters)



IH-4509-S SAVO

Control:	push button
Speed rates:	3
LED lighting:	4x2,5 W
Dimensions:	900 mm
Finish:	inox

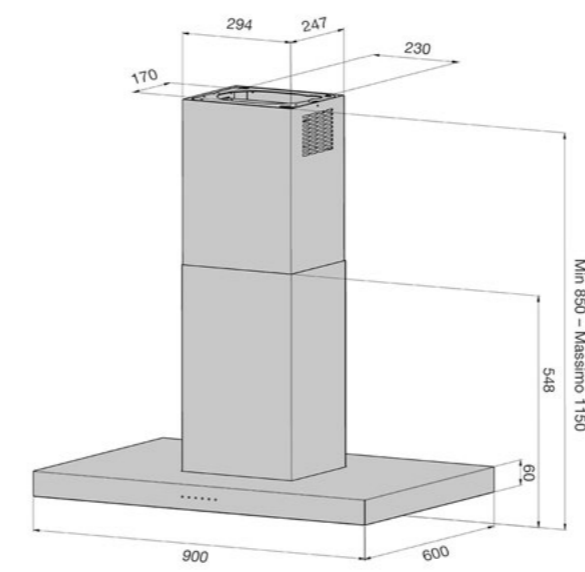
A winter start-up function: a practical function activated after the cooker hood is turned on, for 20 seconds from the start the fan is working at a maximum speed



Recommended models of roof fans:

VILPE® E220	max. capacity of approx. 720 m ³ /h*
VILPE® E220 ECo	max. capacity of approx. 900 m ³ /h*

* indicative capacities for the highest motor operation speed (for the pressure drop by 50 Pa which corresponds to the length of the ventilation duct between the hood and the fan on the roof of approx. 5 running meters)



Available Colours: Inox



TONGA

Control:	electronic display + push button
Speed rates:	4
LED lighting:	2x2 W
Dimensions:	Ø 500 mm
Finish:	lacquer
A winter start-up function:	a practical function activated after the cooker hood is turned on, for 20 seconds from the start the fan is working at a maximum speed
Timer:	9 min
Remote control:	remote control unit

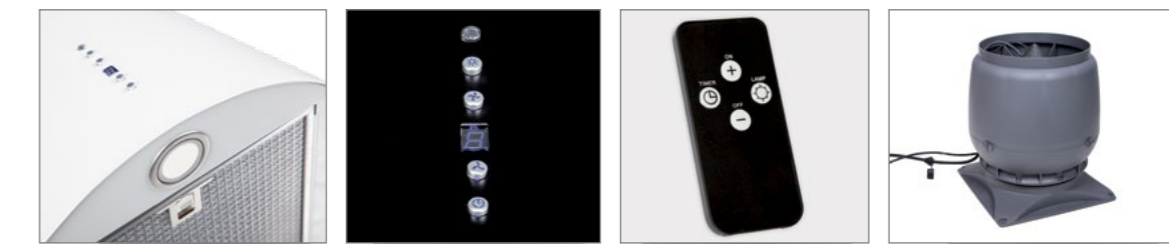
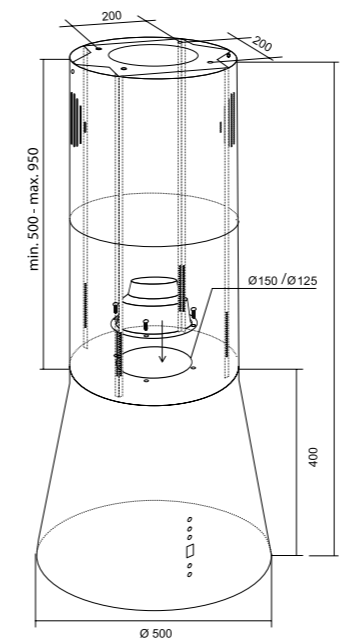


Recommended models of roof fans:

VILPE® E220 max. capacity of approx. 720 m³/h*

VILPE® E220 ECo max. capacity of approx. 900 m³/h*

* indicative capacities for the highest motor operation speed (for the pressure drop by 50 Pa which corresponds to the length of the ventilation duct between the hood and the fan on the roof of approx. 5 running meters)



Available Colours:



Black

White



MADURA

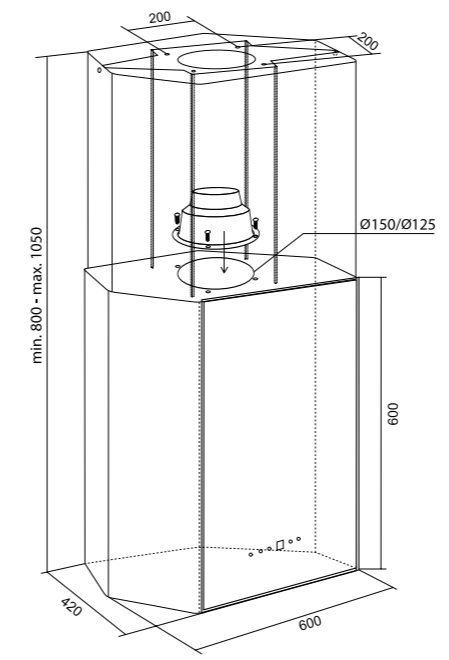
Control:	electronic, touch display
Speed rates:	4
LED lighting:	2x2 W
Dimensions:	600 mm
Finish:	lacquer + toughened glass
A winter start-up function:	a practical function activated after the cooker hood is turned on, for 20 seconds from the start the fan is working at a maximum speed
Timer:	9 min
Remote control:	remote control unit



Recommended models of roof fans:

- VILPE® E220** max. capacity of approx. 720 m³/h*
- VILPE® E220 ECo** max. capacity of approx. 900 m³/h*

* indicative capacities for the highest motor operation speed (for the pressure drop by 50 Pa which corresponds to the length of the ventilation duct between the hood and the fan on the roof of approx. 5 running meters)





SPRINT SPRINT GLASS



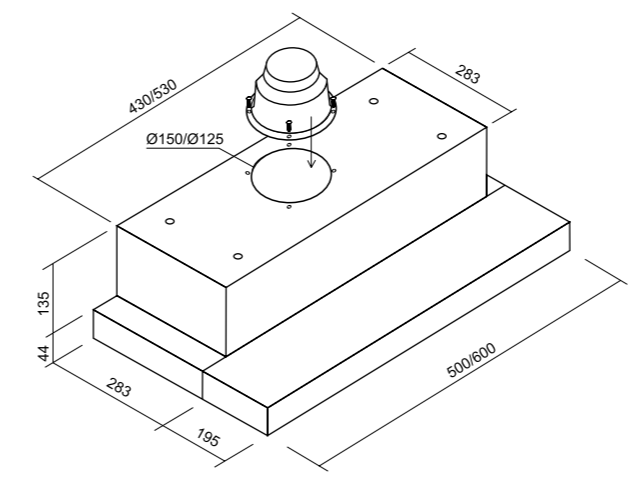
Control:	mechanical
Speed rates:	3
LED lighting:	2x2 W
Dimensions:	500/600 mm
Finish:	inox + toughened glass



Recommended models of roof fans:

- VILPE® E220** max. capacity of approx. 720 m³/h*
- VILPE® E190 ECo** max. capacity of approx. 650 m³/h*

* indicative capacities for the highest motor operation speed (for the pressure drop by 50 Pa which corresponds to the length of the ventilation duct between the hood and the fan on the roof of approx. 5 running meters)



- Available Colours:
-  Black panel
 -  White panel
 -  Inox satin



OMEGA



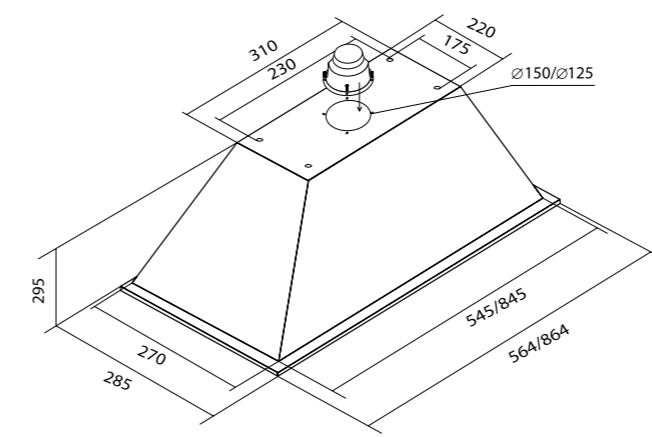
Control:	electronic, touch display
Speed rates:	4
LED lighting:	2x2 W
Dimensions:	564/864 mm
Finish:	inox satin + toughened glass
A winter start-up function:	a practical function activated after the cooker hood is turned on, for 20 seconds from the start the fan is working at a maximum speed
Timer:	9 min
Remote control:	remote control unit



Recommended models of roof fans:

- VILPE® E220** max. capacity of approx. 720 m³/h*
- VILPE® E190 ECo** max. capacity of approx. 650 m³/h*

* indicative capacities for the highest motor operation speed (for the pressure drop by 50 Pa which corresponds to the length of the ventilation duct between the hood and the fan on the roof of approx. 5 running meters)



Available Colours:
 Black panel
 White panel



DELTA



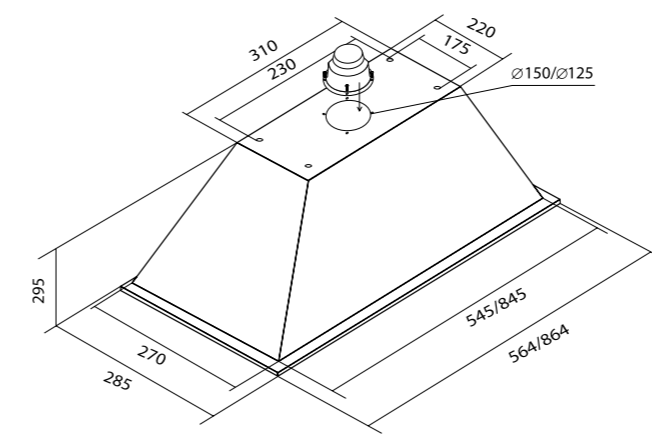
Control:	electronic, touch display
Speed rates:	4
LED lighting:	LED strip: 4 W
Dimensions:	564/864 mm
Finish:	lacquer + toughened glass
A winter start-up function:	a practical function activated after the cooker hood is turned on, for 20 seconds from the start the fan is working at a maximum speed
Timer:	9 min
Remote control:	remote control unit



Recommended models of roof fans:

- VILPE® E220** max. capacity of approx. 720 m³/h*
- VILPE® E190 ECo** max. capacity of approx. 650 m³/h*

* indicative capacities for the highest motor operation speed (for the pressure drop by 50 Pa which corresponds to the length of the ventilation duct between the hood and the fan on the roof of approx. 5 running meters)

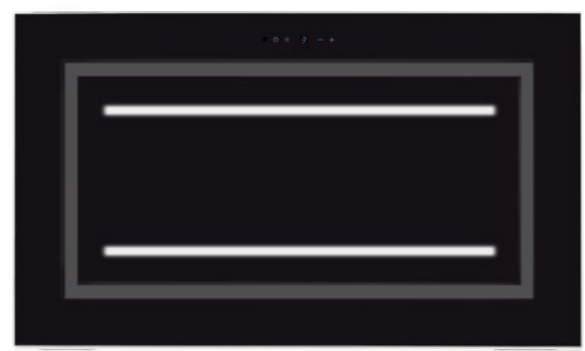


Available Colours:

-  Black glass
-  White glass



VENUS



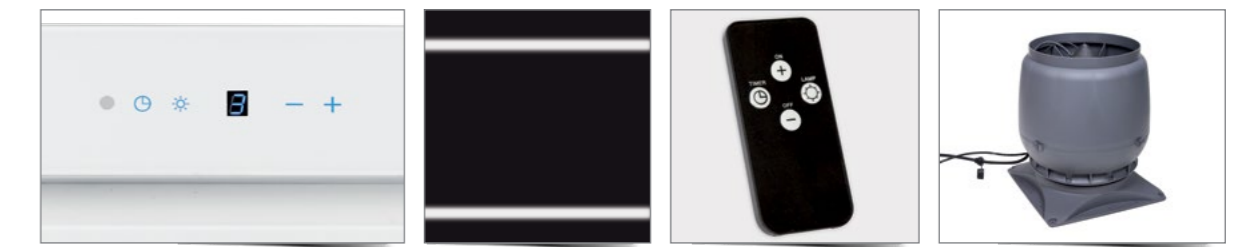
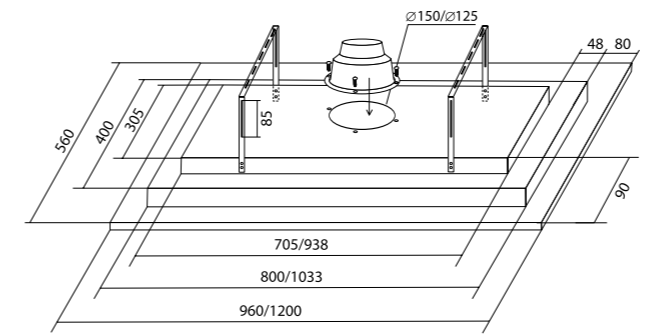
Control:	electronic, touch display
Speed rates:	4
LED lighting:	2x4 W
Dimensions:	960 mm
Finish:	lacquer + toughened glass
A winter start-up function:	a practical function activated after the cooker hood is turned on, for 20 seconds from the start the fan is working at a maximum speed
Timer:	9 min
Remote control:	remote control unit



Recommended models of roof fans:

VILPE® E220 ECo	max. capacity of approx. 900 m ³ /h*
VILPE® E250 ECo	max. capacity of approx. 1200 m ³ /h*

* indicative capacities for the highest motor operation speed (for the pressure drop by 50 Pa which corresponds to the length of the ventilation duct between the hood and the fan on the roof of approx. 5 running meters)



Available Colours:
 Black glass
 White glass



STELLA INOX STELLA GLASS



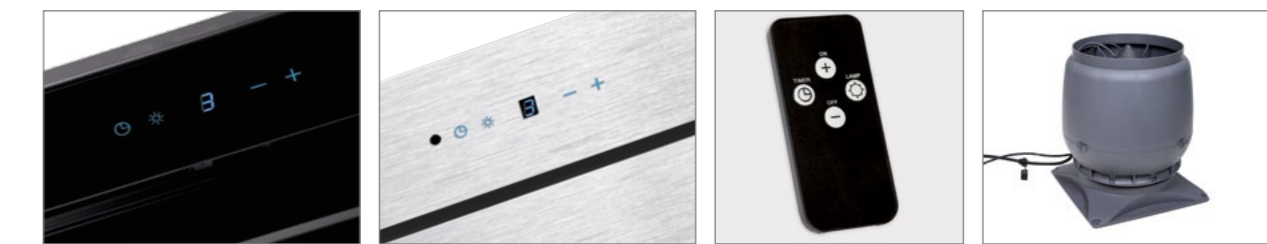
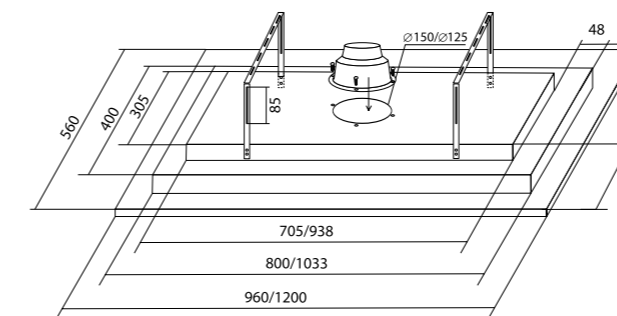
Control:	electronic, touch display
Speed rates:	4
LED lighting:	4x2 W
Dimensions:	960 mm
Finish:	lacquer/inox + toughened glass
A winter start-up function:	a practical function activated after the cooker hood is turned on, for 20 seconds from the start the fan is working at a maximum speed
Timer:	9 min
Remote control:	remote control unit



Recommended models of roof fans:

VILPE® E220 Eco	max. capacity of approx. 900 m ³ /h*
VILPE® E250 Eco	max. capacity of approx. 1200 m ³ /h*

* indicative capacities for the highest motor operation speed (for the pressure drop by 50 Pa which corresponds to the length of the ventilation duct between the hood and the fan on the roof of approx. 5 running meters)



Available Colours:

Black glass	White glass	Inox satin



JUPITER



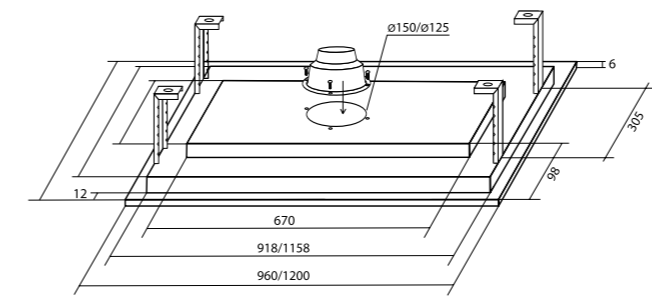
Control:	electronic, touch display
Speed rates:	4
LED lighting:	LED strip: 2x4 W
Dimensions:	960 mm/1200 mm
Finish:	lacquer + toughened glass
A winter start-up function:	a practical function activated after the cooker hood is turned on, for 20 seconds from the start the fan is working at a maximum speed
Timer:	9 min
Remote control:	remote control unit



Recommended models of roof fans:

- VILPE® E220 ECo** max. capacity of approx. 900 m³/h*
- VILPE® E250 ECo** max. capacity of approx. 1200 m³/h*

* indicative capacities for the highest motor operation speed (for the pressure drop by 50 Pa which corresponds to the length of the ventilation duct between the hood and the fan on the roof of approx. 5 running meters)



Available Colours:  Black glass  White glass

COOKER HOODS FOR THE CATERING INDUSTRY

OFFER FOR RESTAURANTS, BARS AND OTHER CATERING FACILITIES

We follow our customers' changing needs in order to meet the expectations of even those most demanding ones. We make every effort so that the cooker hoods for the catering industry available in our offer are distinguished by the highest quality, reliability and ergonomics. They are manufactured from stainless steel in a technology which excludes the occurrence of hard-to-reach areas. This ensures the cooker hood is easily maintained clean and guarantees hygiene.

The dimensions of the cooker hood, the type of materials used and the type and the power of the VILPE® fan connected to it are selected in accordance with individual customer needs. Please contact our sales department to make arrangements in this regard.



VILPE® ROOF FAN

This fan is a key component of the VILPE® silent kitchen. In this category it is the highest quality device whose installation guarantees long and reliable operation providing excellent ventilation of the rooms not only in the kitchen but in the entire house. It is distinguished by its light structure (external casing is made of high quality polypropylene), high resistance to mechanical damage and difficult weather conditions. Regardless of the temperature and climatic conditions (tested in both arctic and tropical climate) fans work faultless. Lifetime of the VILPE® roof fans reaches up to 15-20 years. The motors are long-lived and rarely fail.



The motors used in the VILPE® fans come from a reputable German company EBM PAPST, the world leading manufacturer of fans and motors, awarded numerous times for both the latest technological solutions, as also achievements in the scope of climate and environmental protection.



P type models

mounted on the roof with the use of a suitable pass-through



S type models

mounted on the ventilation chimney with the use of an installation set

SELECTION OF THE ROOF FAN FOR THE KITCHEN COOKER HOOD

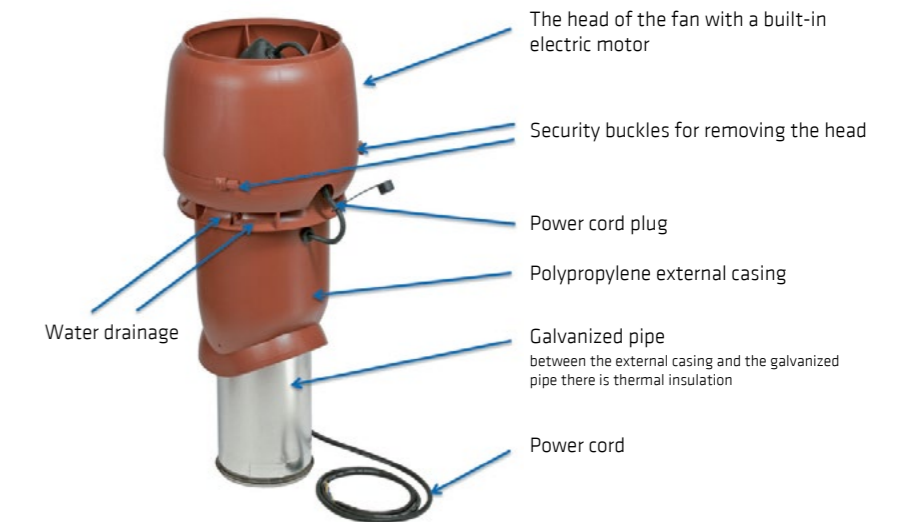
Air flow required for the ventilation duct of the kitchen cooker hood depends on the size of the cooker, the height of the hood and a number of other parameters. It is assumed that 1 running meter of a ventilation duct is the loss of compression 5 Pa plus 30 Pa for the cooker hood.

ventilator	duct	50 Pa*	100 Pa**	Type of hood
E220	160 mm	720 m³/h	620 m³/h	Wall mounted hood / Island mounted hood
Eco190	125 mm	650 m³/h	580 m³/h	Wall mounted hood (bigger model)
Eco220	160 mm	900 m³/h	780 m³/h	Island and ceiling mounted hood (bigger model)
Eco250	200 mm	1200 m³/h	1100 m³/h	Island and ceiling mounted hood (bigger model)

* - example of capacity for the ventilation duct length, from the hood to the fan on the roof, of approx. 5 running meters

** - example of capacity for the ventilation duct length, from the hood to the fan on the roof, of approx. 15 running meters

CONSTRUCTION OF THE FAN



ROOF FANS

P type models to be mounted on the roof

	colour	product code
VILPE® E220P Ø160/IS/500 roof fan Powered roof fan with Ø160 mm inner pipe. Outer diameter 225 mm, height 500 mm. Inner pipe made from galvanized sheet steel. Screws for fixing the roof fan to a pass-through are included. Pass-throughs for different roofing materials sold separately.	Black	73472
	Brown	73474
	Green	73476
	Grey	73477
	Red	73478
	Brick Red	73479
VILPE® ECo 190P/125/500 roof fan Powered roof fan with Ø125 mm inner pipe. Made of polypropylene. Outer diameter 225 mm, height 500 mm. Energy-saving roof fan with a DC motor. VILPE R ECo fans can be controlled with remote control, which uses a standard 0-10 V voltage message.	Black	737342
	Brown	737344
	Green	737346
	Grey	737347
	Red	737348
	Brick Red	737349
	Light Grey	737341
	Anthracite	73734G



P type models to be mounted on the roof

	colour	product code	
VILPE® ECo 220P Ø160/IS/500 roof fan Powered roof fan with Ø160 mm inner pipe. Outer diameter 225 mm, height 500 mm. Inner pipe made from galvanized sheet steel. Screws for fixing the roof fan to a pass-through are included. Pass-throughs for different roofing materials sold separately.	Black	737382	
	Brown	737384	
	Green	737386	
	Grey	737387	
	Red	737388	
	Brick Red	737389	
	Light Grey	737381	
	Anthracite	73738G	
	VILPE® ECo 250P/200/500 roof fan Energy-saving ECo roof fan with a DC motor. Ø200 mm inner pipe. Made of polypropylene. Outer diameter 300 mm, height 500 mm. VILPER ECo fans can be controlled with remote control, which uses a standard 0-10 V voltage message.	Black	737442
		Brown	737444
Green		737446	
Grey		737447	
Red		737448	
Brick Red		737449	



ROOF FANS

S type models to be mounted in the ventilation chimney

	colour	product code
VILPE® E220S Ø160 + installation set 300x300 Powered roof fan made of polypropylene for Ø160 mm duct. When installing on a flat surface the installation set E220S is needed. S-Roof fan can also be installed on the pipe without the installation set.	Black	737502
	Brown	737504
	Green	737506
	Grey	737507
	Red	737508
	Brick Red	737509
VILPE® ECo190S + installation set 300x300 Powered roof fan made of polypropylene for Ø125 mm duct. Energy-saving roof fan with a DC motor. VILPE® ECo fans can be controlled with remote control, which uses a standard 0-10 V voltage message.	Black	737512
	Brown	737514
	Green	737516
	Grey	737517
	Red	737518
	Brick Red	737519
VILPE® ECo 220S + installation set 300x300 Powered roof fan made of polypropylene for Ø160 mm duct. Energy-saving roof fan with a DC motor. VILPE® ECo fans can be controlled with remote control, which uses a standard 0-10 V voltage message.	Black	737392
	Brown	737394
	Green	737396
	Grey	737397
	Red	737398
	Brick Red	737399
VILPE® ECo 250S + installation set 400x400 Energy-saving ECo roof fan with a DC motor for Ø200 mm duct. Made of polypropylene. VILPE® ECo fans can be controlled with remote control, which uses a standard 0-10 V voltage message. Includes installation set (400x400 mm) for installing on a flat surface. S-Roof fan can also be installed on the pipe without the installation set.	Black	737452
	Brown	737454
	Green	737456
	Grey	737457
	Red	737458
	Brick Red	737459



PASS-THROUGH

for metal roofing

VILPE® Profiled steel pass-through set

The Profiled steel pass-through set is suitable for all round profiled roofing. The minimum length of a profiled roof tile in the metal sheet is 350 mm. Fixing screws, sealing compound and a sealing for the underlay are included.

VILPE® Steel pass-through set

Can be fitted to a variety of metal roofs with the included watertight rubber seal. The rubber seal has an aluminium flange which can be moulded to fit the tile. Length 355 mm, width 460 mm. Fixing screws sealing compound and a sealing for underlay are included.

VILPE® Classic pass-through set

Used on both standing seam and felt roofing. The Classic pass-through is designed to be installed after the roof itself has been completed. Length 328 mm, width 266 mm. Fixing screws and a sealing for the underlay are included. Sealing compound is required on felt roofs.

AALTO pass-through

Pass-through set suitable for Ruukki Adamante or similar sheet roofing. Set include sealing compound, screws and instruction of assembly. Aalto pass-through fit for ventilation ducts Ø 75÷160 mm.

NERA pass-through

Roof pass-through for roofing: Ruukki Finnera, Budmat Venecja, Plannja Flex. Measurements 357 x 247 mm. Fixing screws, a sealing compound and a sealing for underlay are included.

VILPE® steel pass-through set XL

The new XL Universal pass-through set for profiled steel and tile roof is replacing the previous XL Steel pass-through. The XL Universal pass-through can be cut on site to fit perfectly to the roof in question.

VILPE® XL Classic pass-through set

Used on standing seam and felt roofing. The XL Classic pass-through is installed after the roof is completed. Length 550 mm, width 347 mm. Fixing screws and a sealing for the underlay are included. Sealing compound required on felt roofs.

* XL pass-throughs intended for Ø200÷250 pipes

colour product code

Black	75172
Brown	75174
Green	75176
Grey	75177
Red	75178
Brick Red	75179
Anthracite	7517G
Black	73552
Brown	73554
Green	73558
Grey	73557
Red	73556
Brick Red	73559
Anthracite	7355G
Black	732562
Brown	732564
Green	732566
Grey	732567
Red	732568
Brick Red	732569
Anthracite	73256G
czarny	740802
brązowy	740804
zielony	740806
szary	740807
czerwony	740808
ceglasty	740808
antracyt	74080G
czarny	740762
brązowy	740764
szary	740767
czerwony	740768
ceglasty	740769
antracyt	74076G
Black	735502
Brown	735504
Green	735506
Grey	735507
Red	735508
Brick Red	735509
Black	732542
Brown	732544
Green	732546
Grey	732547
Red	732548
Brick Red	732549



PASS-THROUGH

for tile roofing

UNITILE pass-through

The Universal tile pass-through set is designed to fit all tile roofs: clay, ceramic, concrete tiles, both one- and two-waved and also plain tiles. The length is 532 mm and width 400 mm. Seal for the upper side, a bracket to bottom, 2x80 and 2x38 mm screws and an underlay seal included.

colour product code

czarny 740902
brązowy 740904
zielony 740906
szary 740907
czerwony 740908
ceglasty 740909
antracyt 74090G



VILPE® Concrete tile pass-through set

The pass-through replaces one 2-wave roof concrete tile, up to tile width of 330 mm and wave height of 27-40 mm. Length of the whole pass-through is 440 mm. Fixing screws and a sealing for the underlay are included.

Black 74011
Brown 74013
Green 74019
Grey 74017
Red 74015
Brick Red 74021
Anthracite 7401G



VILPE® XL concrete tile pass-through set

Replaces two 2-wave roof concrete tiles, with tile width of 330 mm and wave height of 27-40 mm. Length 810 mm. Fixing screws and a sealing for the underlay are included.

Black 740102
Brown 740104
Green 740106
Grey 740107
Red 740108
Brick Red 740109



* XL pass-throughs intended for Ø200÷250 pipes

for tile roofing

MONZA pass-through

VILPE® PT 10 tile pass-through is designed for installing VILPE® roof fans, exhaust ventilation pipes and other VILPE® products on the Roben Monza Plus tile roof.

colour product code

czarny 740772
brązowy 740774
czerwony 740778
ceglasty 740779



CARPI pass-through

VILPE® PT 20 tile pass-through is designed for installing VILPE® roof fans, exhaust ventilation pipes and other VILPE® products on the Karpiowka tile roof.

czarny 740782
czerwony 740784
ceglasty 740788
brązowy 740789



AMBER pass-through

VILPE® PT 30 tile pass-through is designed for installing VILPE® roof fans, exhaust ventilation pipes and other VILPE® products on the Braas Amber V12 tile roof.

czarny 741052
czerwony 741058
ceglasty 741059
brązowy 741054



BALANCE pass-through

VILPE® PT 40 tile pass-through is designed for installing VILPE® roof fans, exhaust ventilation pipes and other VILPE® products on the Creaton Balance tile roof.

Black 741079
Brown 741078
Grey 741077
Red 741074
Brick Red 741072



RENESANS pass-through

VILPE® PT 40 tile pass-through is designed for installing VILPE® roof fans, exhaust ventilation pipes and other VILPE® products on the Koramic Renesansowa L15 tile roof.

Black 741082
Brown 741084
Grey 741087
Red 741088
Brick Red 741089



PIEMONTE pass-through

VILPE® PT 60 tile pass-through is designed for installing VILPE® roof fans, exhaust ventilation pipes and other VILPE® products on the Roben Piemont tile roof.

Black 741092
Brown 741094
Grey 741097
Red 741098
Brick Red 741099



EVO 2K pass-through

Application: Suitable for roofs covered with flat cement or ceramic tiles with a tile length of about 42 cm and a width of 30 cm. Replaces one roof tile. Content: Pass-through, 2K seal for underlay, screws and installation instruction.

czarny 300072
brązowy 300074
szary 300077
czerwony 300078
ceglasty 300079
antracyt 30007G



PASS-THROUGH

for bitumen roofing

VILPE® HS Shingle/Slate pass-through set

With VILPE® HS Shingle/Slate pass-through you can install VILPE® roof fans, exhaust ventilation pipes and other VILPE® products on the shingle and slate roofs. HS Shingle/Slate pass-through can be installed on steep roofs – up to 59°.

colour product code

Black 741062
Brown 741064
Green 741066
Grey 741067
Red 741068
Brick Red 741069



VILPE® Felt pass-through

The felt pass through is installed between two felt layers. Also suitable for slate roof. Flange width 150 mm, width of the whole pass-through 488 mm, length 583 mm.

Black 74002
Brown 740034
Green 740036
Grey 740037
Red 740038
Brick Red 740039



VILPE® Felt pass-through tall

The felt pass-through is installed between two fekt kayers. Flange width 150 mm, stem height 200 mm. Designed for roofs with a pitch less than 1:5 (11.5 degrees).

Black 740752
Grey 740757



for bitumen roofing

VILPE® XL Classic pass-through set

Used on standing seam and felt roofing. The XL Classic pass-through is installed after the roof is completed. Length 550 mm, width 347 mm. Fixing screws and a sealing for the underlay are included. Sealing compound required on felt roofs.

colour product code

Black 732542
Brown 732544
Green 732546
Grey 732547
Red 732548
Brick Red 732549



VILPE® XL Felt pass-through

Installed between two felt layers. Also suitable for slate roof. Flange width 150 mm, length 800 mm, width 590 mm.

Black 740042
Brown 740044
Green 740046
Grey 740047
Red 740048
Brick Red 740049



XL FELT pass-through TALL*

is used on felt covering. It is installed between two felt layers. Stem height 300 mm.

czarny 740052
szary 740057



* XL pass-throughs intended for Ø200÷250 pipes

ACCESORIES

	diameter	product code	
Laminated flexible ventilation duct Fully laminated, flexible wires designed for air transport in air conditioning and ventilation installations. The insulation is 100% waterproof, making the wires they also retain their properties in a humid environment. Standard length: 7.5 m Working temperature range: from -30 ° C to + 150 ° C Insulation: Polyethylene foam, standard thickness 6 mm Outer and inner sheath: Laminated aluminum polyester	127 mm 162 mm 203 mm	11041 11043 11044	
Rigid galvanized pipe not insulated Spirally wound round ventilation ducts with gasket. All galvanized, acid-proof spiral channels, aluminum have a class D tightness according to Eurovent. Available lengths: 2 m	125 mm 160 mm 200 mm	SPR-C-125-040-0200 SPR-C-160-040-0200 SPR-C-200-040-0200	
Rigid galvanized pipe insulated SPIRAL pipe rubber insulated. Insulation thickness 25 mm. Available lengths: 2 m	125 mm 160 mm 200 mm	F25-SPR-C-125-0200 F25-SPR-C-160-0200 F25-SPR-C-200-0200	
Aluminum tape Aluminum tape reinforced with mesh to connect the cable coming out of the eaves and the roof fan with laminated flexible ventilation duct. Length: 50 m	100 mm	11001	
Sound attenuator Round acoustic silencers made of steel spirally coiled conductor, as outer sheath, and internal perforated insert. Type of insulation: glass wool Isolation type: from a circle Available lengths: 500 mm, 1000 mm Available diameters: 125 mm, 160 mm, 200 mm	125 mm 160 mm 200 mm	SIL-50-125 SIL-50-160 SIL-50-200	

Reduction

Reduction for connecting from two sides with ventilation pipes. Available diameters: 160/125 mm, 160/150 mm.

160/125 mm RPCL-160-125
160/150 mm RPCL-160-150



Note

Pressed 45 ° or 90 ° ventilation knee used for Spiral and ventilation ducts for smooth conductors. Linear seal ensures class D tightness without additional sealants. A double rubber EPDM gasket ensures class of tightness D according to Eurovent. Connection with a cable ventilation is done by slipping inside channel. The molded shape of the ventilation element causes less resistance and pressure drops. Available diameters of passage: 125 mm, 160 mm, 200 mm.

45°
125 mm
160 mm
200 mm

BPL-125-45
BPL-160-45
BPL-200-45



90°
125 mm
160 mm
200 mm

BPL-125-90
BPL-160-90
BPL-200-90



INSTALLATION RECOMMENDATIONS

AS REGARDS A KITCHEN COOKER WITH A VILPE® ROOF FAN

All VILPE® products are characterized by easy installation. Their excellent compatibility ensures tight and durable connection with the roofing material. However we recommend the system installation be performed by a qualified technician.

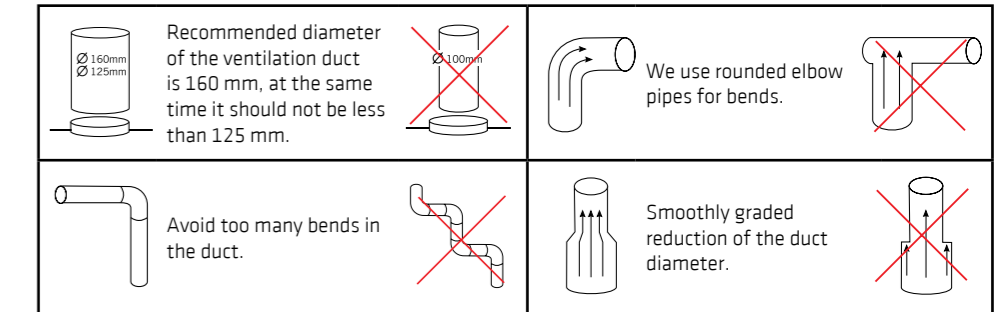
Installation of a VILPE® silent kitchen involves three stages:

1. Installation of the roof fan along with an appropriate installation set
2. Installation of the kitchen cooker hood
3. Connection of the electrical installation and ventilation ducts

Below are some important recommendations which, taken into consideration, will provide you with correct installation of the VILPE® silent kitchen system and full satisfaction of its operation:

- The kitchen should be equipped with two ventilation ducts; their patency is checked prior to installation.
- Kitchen cooker fan should be connected to a separate (individual) chimney duct which will allow for extraction of polluted air from the kitchen to the outside of the building.
- If in the kitchen there are devices that extract exhaust fumes to chimneys with gravity draught (e.g. boiler or gas heater with an open combustion chamber, fireplace, iron stove), a mechanical cooker (including the VILPE® silent kitchen system) should not be used. (The strength of extraction of the fan can reverse the gravity draught in the chimney and cause aspiration of exhaust fumes to the rooms).
- The ventilation duct should be tight throughout its entire length from the hood up to the place it is connected to the roof fan.
- Avoid too many duct bends. If there are any, we use rounded elbow pipes with the maximum angle of 45° by creating gentle curves. The shorter the duct connecting the cooker with the chimney and the fewer bends in it, the more efficient operation of the system.
- The best solution is to use a duct with a smooth inner surface (most commonly used are ducts made of PVC or steel).
- In case of masonry ducts or old ventilation installations, we recommend introducing a new ventilation duct inside the old one (e.g. made of PVC).

- Recommended diameter of the ventilation duct is 160/150 mm. The vertical should be of identical diameter throughout its entire length. In the event a reduction is necessary, we do it by gentle graduation, however the minimum allowable diameter is 125 mm.
- In the event the ventilation duct passes through an unheated part of the building, execution of thermal insulation that prevents condensation of water vapour in the duct is recommended.
- The recommended electrical cable to connect the roof fan to the cooker hood is the cable:
 - for fans with the symbol E (AC) 3x1,5 mm,
 - for fans with the Eco symbol (DC) 3x1,5 mm and 2x0,8 mm .
- In case of an island hood, connection to the ventilation and electrical installation must be brought out directly above the hood.
- If the length of the ventilation duct connecting the cooker hood to the roof fan is small (low ceiling, kitchen in the attic), we recommend using in addition the acoustic silencer.
- Please get acquainted with the installation instructions of the kitchen cooker hood, roof fan and the installation set. Adherence to the recommendations of the instruction manual ensures proper operation and draught in the ventilation ducts thanks to which the system will be working quietly and efficiently.



Above-mentioned recommendations relate to general principles of installation having regard to safety and maximum user comfort. In special cases there are exceptions and conditions permitting customized solutions – each of them should be considered individually based on the knowledge and experience of the specialist.



Nord Roofs LTD.
Units 88 - 89, Grange Way,
Baldoyle Industrial Estate,
Dublin, Ireland
D13 KD86
Ph. +353 (0) 1 484 5199
info@nordroofs.ie

YOUR DISTRIBUTOR:
**NORD
ROOFS**